

MAGNOLIA CABINETRY  
The Intelligent Choice

2025-2026

# SPECIFICATIONS & CABINET FINISHES

Base Cabinets | Wall Cabinets

Vanity Cabinets | Tall Cabinets | Accessories





Don't see what you need? No Worries!

At Magnolia Cabinetry, we offer an extensive array of options. We can provide you with nearly any style cabinet or finish you're looking for.

Our staff works directly with you to address concerns, understand your style and design goals, and implement your custom designs to best fit your needs and meet, if not exceed your expectations.

We are here for you!



# TABLE OF CONTENTS

---

05  
Magnolia Cabinetry Warranty Information

06-08; 11, 14 & 16  
Cabinets, Finishes & Profiles

09-10; 12 - 13, 15 & 17  
Features

18-36  
Size Chart - Base Cabinets

37-48  
Size Chart - Vanity Cabinets

49-64  
Size Chart - Wall Cabinets

65-70  
Size Chart - Tall Cabinets

71-78  
Size Chart - Accessories

# WARRANTY

## **One Year Limited Warranty on Cabinets**

Magnolia Cabinetry warrants to original consumer purchasers for a period of one (1) year from the original date of purchase that all other components of Magnolia Cabinetry shall be free from defects in material and workmanship under normal use.

This warranty is only applicable to product used in residential applications within the United States and are not transferable to subsequent owners. To view the full version of warranty documents, visit our website at [www.magnoliacabinets.com](http://www.magnoliacabinets.com).

# HARVARD PROFILES



White

Espresso

Toffee

Honey

Dove

- ❖ Low Formaldehyde ( CARB Phase II )
- ❖ 1/2" Plywood Box Construction with UV-Coated Matching Exterior
- ❖ Full Overlay
- ❖ Solid Wood Face Frame
- ❖ Five-Piece Drawer Front Construction
- ❖ Solid Wood Door with Medium-Density Fiberboard (MDF) Veneer Center
- ❖ Solid Wood Dovetailed Drawers with Undermount Epoxy Glides (Soft Close Optional)
- ❖ 3/4" Full Depth Adjustable Plywood Shelves
- ❖ Concealed 6-Way Adjustable Hinges
- ❖ Standard Soft Close Hinge
- ❖ Custom Colors Available

# ALBANY PROFILES\*



White

Espresso

Toffee

Natural

Dove

- ❖ Low Formaldehyde ( CARB Phase II )
- ❖ 1/2" Plywood Box Construction with UV-Coated Matching Exterior
- ❖ Full Overlay
- ❖ Solid Wood Face Frame
- ❖ Medium-Density Fiberboard (MDF) Veneer Door
- ❖ Solid Wood Dovetailed Drawers with Undermount Epoxy Glides (Soft Close Optional)
- ❖ 3/4" Full Depth Adjustable Plywood Shelves
- ❖ Concealed 6-Way Adjustable Hinges
- ❖ Standard Soft Close Hinge
- ❖ Custom Colors Available

\*NOT IN STOCK, SPECIAL ORDER ONLY

# MADISON PROFILE\*



White



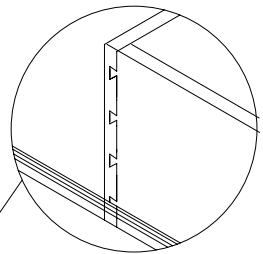
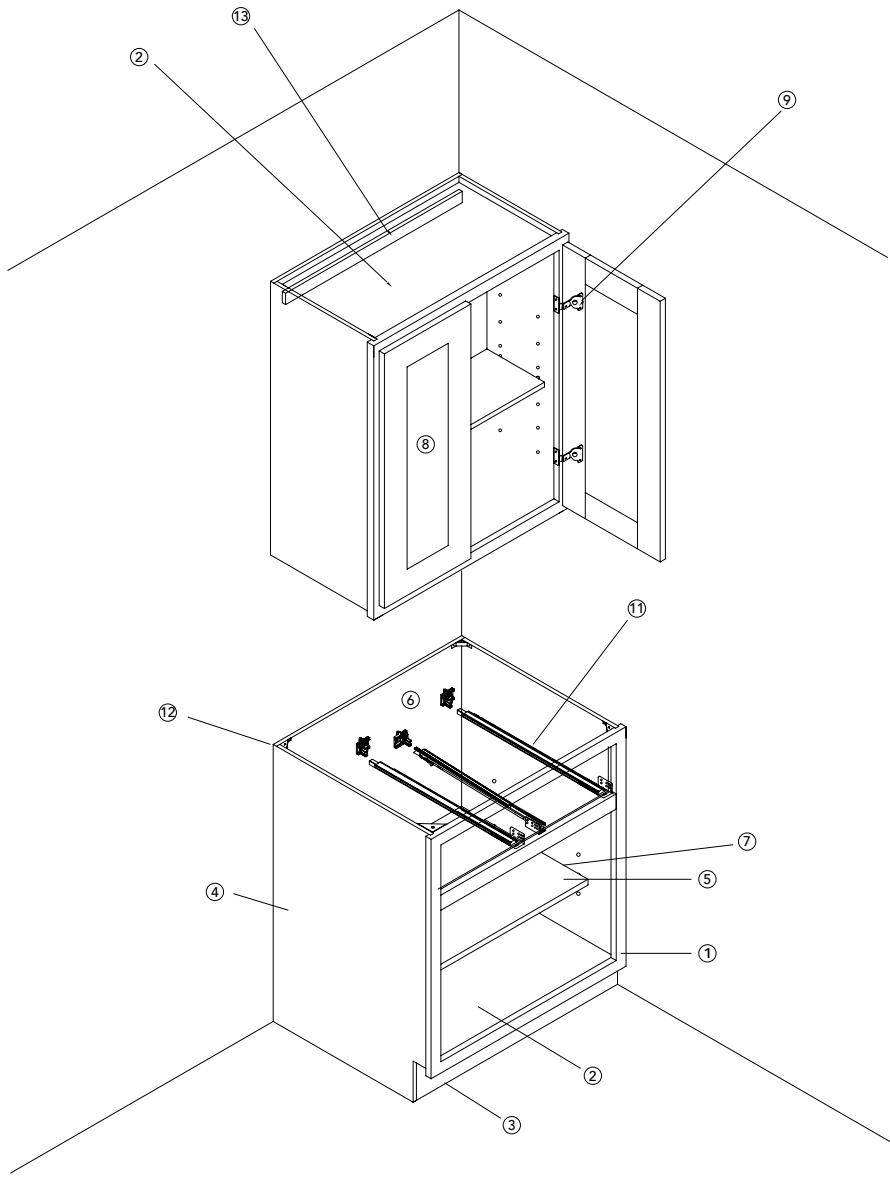
Dove

- ❖ UV-Coated Natural Interior
- ❖ 1/2" Plywood Box with UV-Coated Matching Exterior
- ❖ 3/4" Hardwood Face Frame
- ❖ 5/8" Dovetail Drawer Box
- ❖ Full Overlay
- ❖ Five-Piece High-Density Fiberboard (HDF) Door
- ❖ Under Mount Full Extension Soft Close Drawer Glides
- ❖ Glue and Staple or Metal Clip Assembly
- ❖ Concealed 6-Way Adjustable European Style Hinges with Soft Close Feature
- ❖ Custom Colors Available

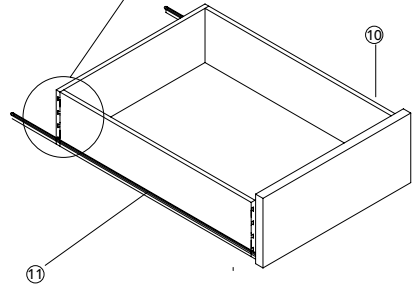
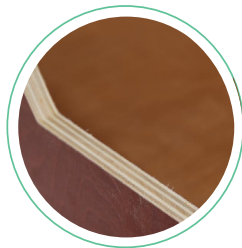
\*NOT IN STOCK, SPECIAL ORDER ONLY



# FEATURES



Plywood



# FEATURES

## 1. Face Frames

Face frames are 3/4" × 1 1/2" solid birch. Frames are mortise and tenon construction reinforced with glue and nails. Frames are dadoed to receive cabinet ends, top, and bottoms.

## 2. Tops & Bottoms

Top and bottom panels are 1/2" thick multi-ply birch hardwood plywood. Tops and bottoms are dadoed into the face frame and end panels.

## 3. Toe Kicks

Toe kicks are 1/2" thick × 4 1/2" tall hardwood plywood.

## 4. End Panels

End panels are 1/2" thick multi-ply hardwood plywood. All end panels are dadoed into the face frame and recessed 3/16".

## 5. Adjustable Shelves

Adjustable shelves are 3/4" thick multi-ply birch hardwood plywood, edge-banded with matching wood tape.

## 6. Back Panels

Backs are 1/2" thick multi-ply birch hardwood plywood. Backs are routed, glued, and nailed in cabinet on all four sides.

## 7. Shelf Clips

Shelf clips are 6.8mm bore with a fluted plastic 2" long stem and self lock mechanism. Shelves are adjustable on 2 1/2" increments.

## 8. Doors

The Harvard: Doors are 3/4" solid birch or solid wood with MDF veneer center. The Albany: 3/4" MDF veneer slab doors. The Madison: Five-Piece HDF doors.

## 9. Hinges

Hinges are 6-way adjustable and fully concealed soft-closing with 165 degree opening.

## 10. Drawer Boxes

Drawer boxes have 5/8" side, 5/8" solid wood ends and 3/8" birch hardwood plywood. Joints are dovetailed with the bottoms recessed 1/2" and routed 1/4" into sides and ends. Bottoms are glued and nailed to sides.

## 11. Drawer Glides

The Harvard / Albany: Drawer glides are full extensions, 100-pound capacity, epoxy coated, ball bearing glide, under mounted.

The Madison: Under mount full extension soft close drawer glides.

Base corner brackets are high impact, injection molded plastic.

## 13. Hanging Strips

Hanging strips are 3/4" × 1 1/4" solid wood.

# OXFORD PROFILES



White

Espresso

Toffee

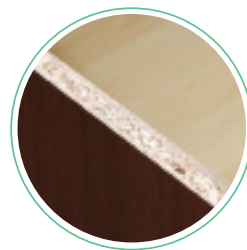
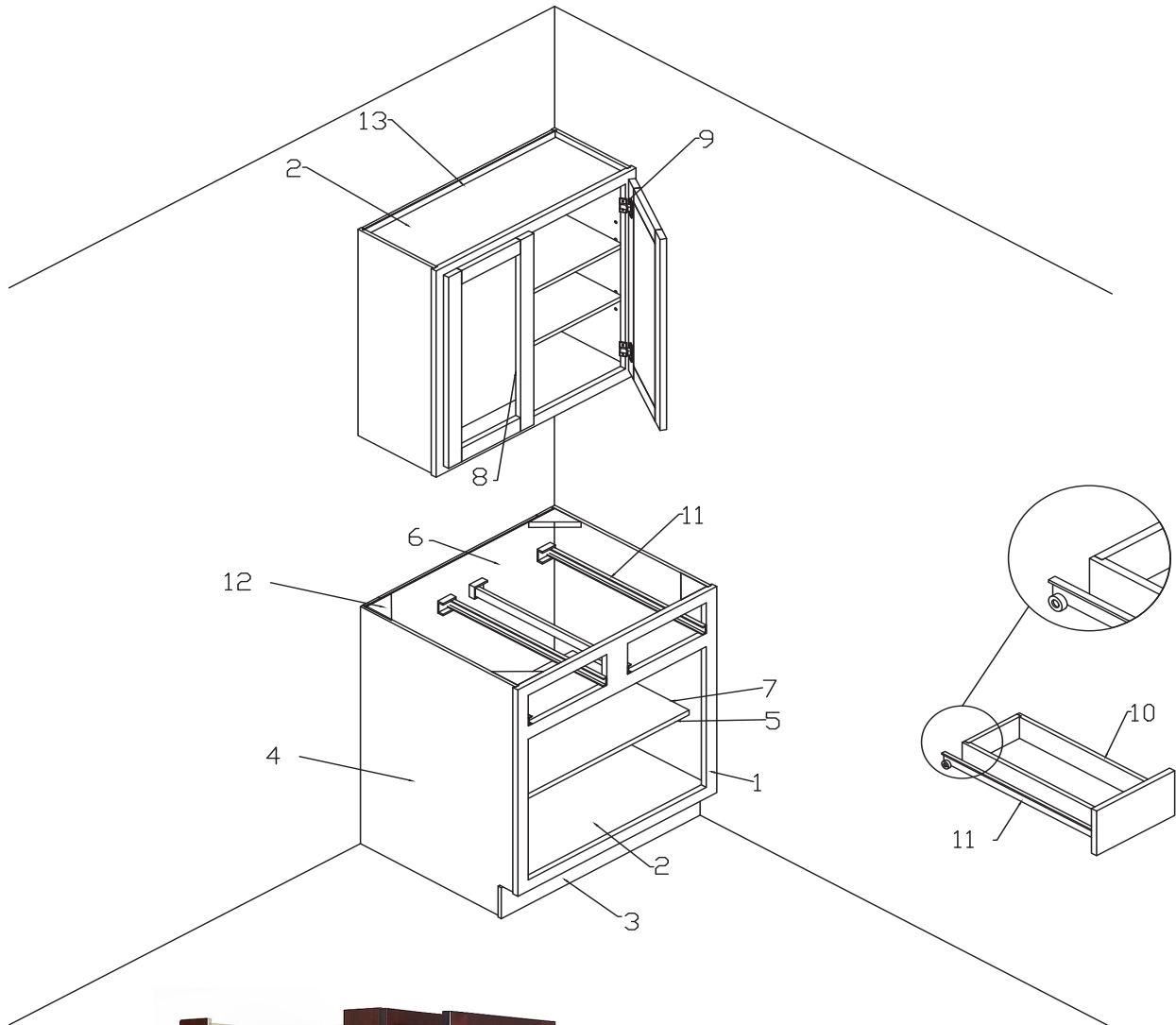
Honey

Dove

- ❖ Low Formaldehyde ( CARB Phase II )
- ❖ 1/2" Particleboard Box Construction with UV-Coated Matching Exterior
- ❖ Full Overlay
- ❖ Solid Wood Face Frame
- ❖ High-Density Fiberboard (HDF) Door
- ❖ 3/4" Full Depth Adjustable Particleboard Shelves
- ❖ Concealed 6-Way Adjustable Hinges
- ❖ Standard Soft Close Hinge
- ❖ Undermount Full Extension Soft Close Drawer Glides
- ❖ Custom Colors Available

**\*NOT IN STOCK, SPECIAL ORDER ONLY**

# FEATURES



Particleboard

# OXFORD FEATURES

## 1. Face Frames

Face frames are 3/4" × 1 1/2" birch hardwood. Frames are mortise and tenons construction reinforced with glue and nails. Frames are dadoed to receive cabinet ends, top, and bottoms.

## 2. Tops & Bottoms

Top and bottom panels are 1/2" thick melamine with particleboard core. Tops and bottoms are dadoed into the face frame and end panels.

## 3. Toe Kicks

Toe kicks shall be 1/2" thick × 4 1/2" tall hardwood plywood.

## 4. End Panels

End panels are 1/2" thick melamine with particleboard core. All end panels are dadoed into the face frame and recessed 3/16".

## 5. Adjustable Shelves

Adjustable shelves are 3/4" thick melamine with particleboard core. Edge banded with matching wood tape.

## 6. Back Panels

Backs are 1/2" thick melamine with particleboard core. Backs are routed, glued, and nailed in cabinet on all four sides.

## 7. Shelf Clips

Shelf clips are 6.8mm bore with a fluted plastic 2" long stem and self lock mechanism. Shelves are adjustable on 2 1/2" increments.

## 8. Doors

Doors are high-density fiberboard (HDF).

## 9. Hinges

Hinges are 6-way adjustable and fully concealed soft-closing with 165 degree opening.

## 10. Drawer Boxes

Drawer boxes have 5/8" side, 5/8" ends melamine with particleboard core and 3/8" melamine bottoms cut from birch hardwood plywood.

## 11. Drawer Glides

Drawer glides are undermount full extension soft close.

## 12. Base Corner Brackets

Base corner brackets are high impact, injection molded plastic.

## 13. Hanging Strips

Hanging strips are 3/4" × 1 1/4" hardwood.

# CAMBRIDGE PROFILES\*



White

Espresso

Toffee

Natural

Dove

- ❖ Low Formaldehyde (CARB Phase II)
- ❖ Slab Door Style
- ❖ 5/8" Thickness Melamine with Particleboard Door - PVC Edge Banding
- ❖ 3/4" Thickness Melamine with Particleboard Shelf - PVC Edge Banding
- ❖ Solid Wood Face Frame
- ❖ 1/2" Particleboard Box Construction
- ❖ Undermount Soft Close Glides
- ❖ Concealed 6-Way Adjustable Hinges with Soft Close Feature
- ❖ Custom Colors Available
- ❖ Waterproof Glue for PVC Edge Banding

\*NOT IN STOCK, SPECIAL ORDER ONLY

# CAMBRIDGE FEATURES

## 1. Base Corner Brackets

Base corner brackets are 90-degree angle bracket with high impact, injection molded plastic.

## 2. Back Panels

Backs are 1/2" thick melamine with particleboard core. Backs are routed, glued, and nailed in cabinet on all four sides.

## 3. Box Interior

Box interior are matching door color, natural veneer color (in melamine) or custom.

## 4. Drawer Glides

Drawer glides are undermount soft closed, full extensions, and 100-pound capacity.

## 5. End Panels

End panels are 1/2" thick melamine with particleboard core. All end panels are dadoed into the face frame and recessed 3/16".

## 6. Adjustable Shelves

Adjustable shelves are 3/4" thick edge banded melamine with particleboard core.

## 7. Toe Kicks

Toe kicks shall be 1/2" thick x 4 1/2" tall particleboard.

## 8. Face Frames

Face frames are 3/4" x 1 1/2" birch hardwood. Frames are mortise and tenons construction reinforced with glue and nails. Frames are dadoed to receive cabinet ends, top, and bottoms.

## 9. Tops & Bottoms

Top and bottom panels are 1/2" thick

melamine with particleboard core. Tops and bottoms are dadoed into the face frame and end panels.

## 10. Hinges

Hinges are 6-way adjustable and fully concealed soft-closing with 165 degrees opening.

## 11. Doors

Doors are 5/8" thick particleboard with melamine, four side PVC edge banding.

## 12. Drawer Boxes Front

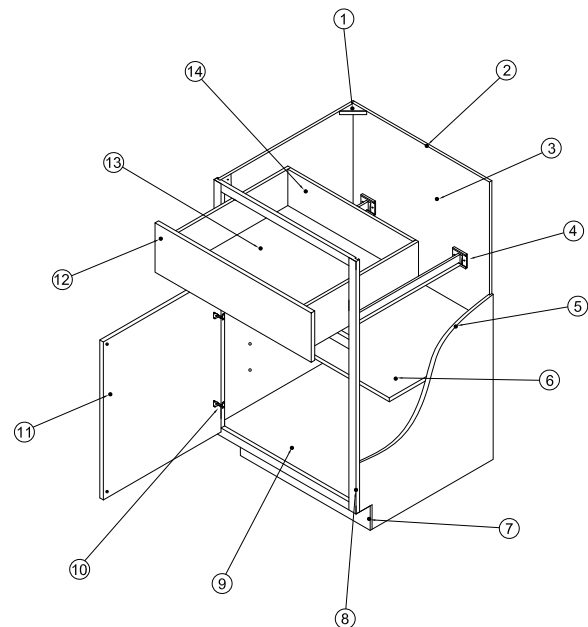
Drawer boxes front are 5/8" thick particleboard with melamine, four side PVC edge banding.

## 13. Drawer Bottom

1/5" thick melamine bottoms with particleboard core.

## 14. Drawer Side Panels

5/8" thick melamine with particleboard core.



# SAN MARINO PROFILES\*



White

Espresso

Toffee

Natural

Dove

- ❖ Slab Door European Style
- ❖ 3/4" Thickness Particleboard or MDF Door
- ❖ 3/4" Thickness Particleboard Melamine Shelves with PVC Edge Banded
- ❖ 3/4" Frameless Particleboard Box Construction
- ❖ 3D Undermount Soft Close Glides
- ❖ Concealed 6-Way Adjustable Hinges with Soft Close Feature
- ❖ Custom Colors Available
- ❖ Water Proof Glue

\*NOT IN STOCK, SPECIAL ORDER ONLY



# SAN MARINO FEATURES

## 1. Doors

Doors are  $\frac{3}{4}$ " thick slab-style MDF or particleboard depending on finish material. Four sides PVC edge banded.

## 2. Tops & Bottoms

Top and bottom panels are  $\frac{3}{4}$ " thick particleboard with melamine.

## 3. Toe Kicks

- a. Standard adjustable leg supports.
- b. Toe kicks are  $\frac{3}{4}$ " (thick)  $\times$   $4\frac{1}{2}$ " (height) MDF.

## 4. End Panels

End panels are  $\frac{3}{4}$ " thickness particleboard with melamine.

## 5. Adjustable Shelves

Adjustable shelves are  $\frac{3}{4}$ " thick particleboard with melamine and PVC edge banding.

## 6. Back Panels

Back panels are  $\frac{3}{4}$ " thick particleboard with melamine.

## 7. Back Support Rail

$\frac{3}{4}$ " thick particleboard with melamine.

## 8. Front Support Rail

$\frac{3}{4}$ " thick particleboard with melamine.

## 9. Shelf Support Pins

5mm steel shelf support pins.

## 10. Hinges

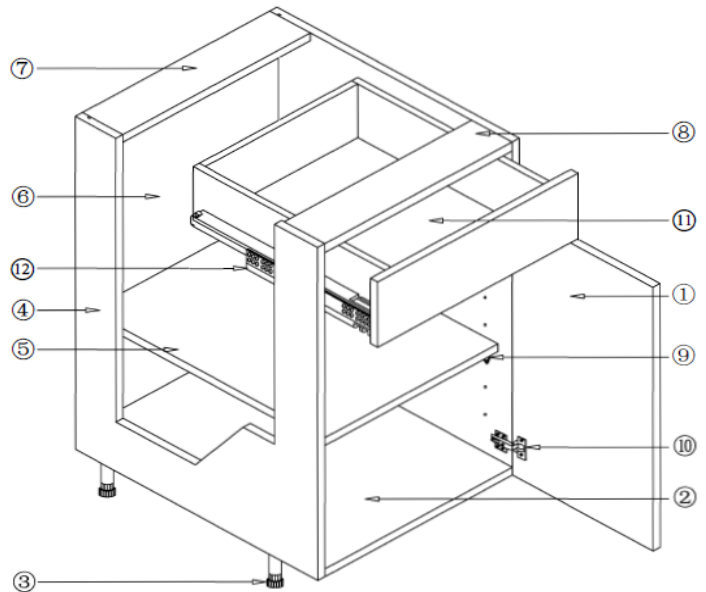
Hinges are 6-way adjustable with  $105^\circ$  opening, soft-close.

## 11. Drawer

$\frac{3}{4}$ " thickness melamine particleboard for drawer side panels, bottom is  $\frac{1}{3}$ " MDF with melamine.

## 12. Drawer Glides

Invisible 3D undermount soft close glides.

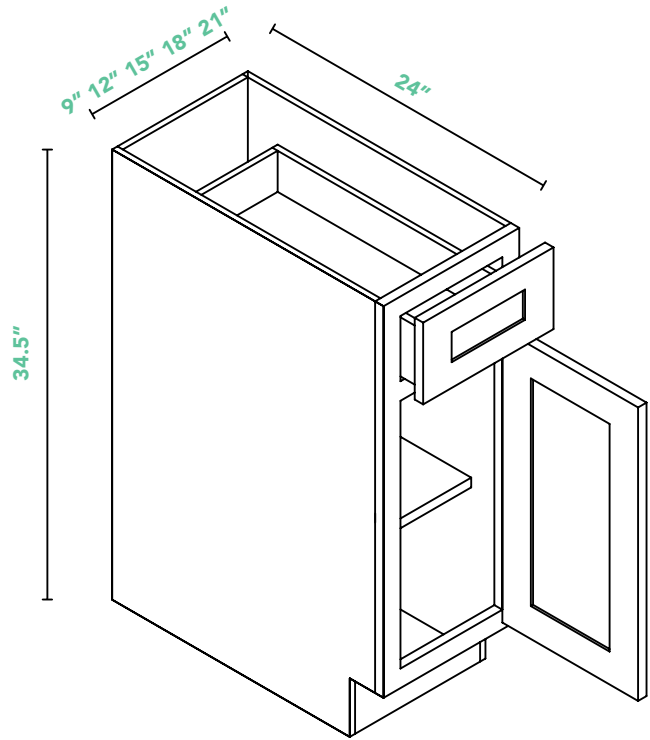




# BASE CABINETS

# BASE CABINETS

Base 1 Drawer 1 Door - 34.5" Height

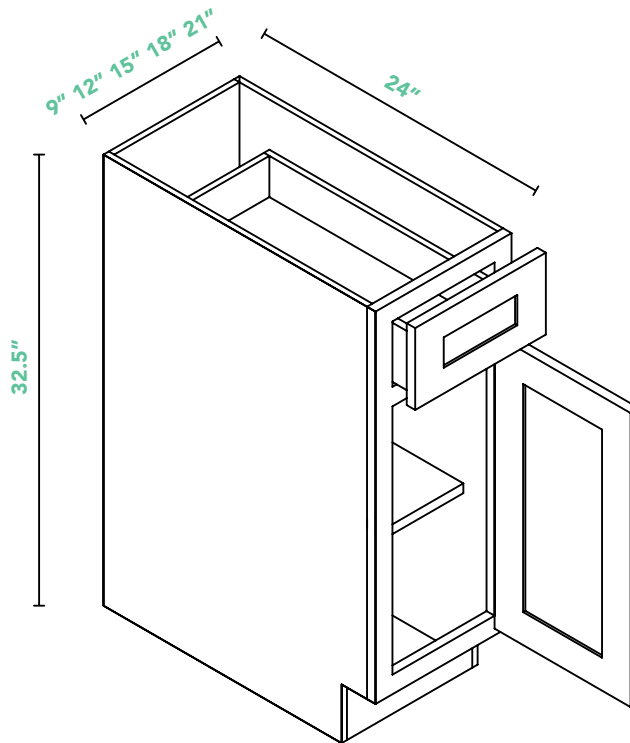


B09  
B12  
B15  
B18  
B21

SKU	CABINET DOORS				DRAWER FRONT				DRAWER BOX				SHELF			
	W	H	D	QTY	W	H	D	QTY	W	H	D	QTY	W	H	D	QTY
B09	8 1/2	21 5/8	3/4	1	8 1/2	6 1/4	3/4	1	5 3/8	4	21	1	7 3/8	21 3/4	3/4	1
B12	11 1/2	21 5/8	3/4	1	11 1/2	6 1/4	3/4	1	8 3/8	4	21	1	10 1/4	21 3/4	3/4	1
B15	14 1/2	21 5/8	3/4	1	14 1/2	6 1/4	3/4	1	11 3/8	4	21	1	13 1/4	21 3/4	3/4	1
B18	17 1/2	21 5/8	3/4	1	17 1/2	6 1/4	3/4	1	14 3/8	4	21	1	16 1/4	21 3/4	3/4	1
B21	20 1/2	21 5/8	3/4	1	20 1/2	6 1/4	3/4	1	17 3/8	4	21	1	19 1/4	21 3/4	3/4	1

# BASE CABINETS

Base 1 Drawer 1 Door - 32.5" Height



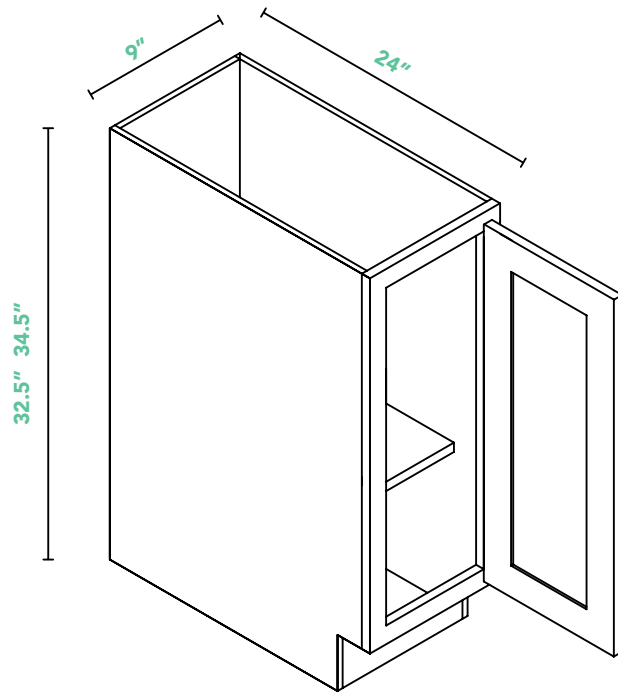
- B09 32.5\*
- B12 32.5\*
- B15 32.5\*
- B18 32.5\*
- B21 32.5\*

SKU	CABINET DOORS				DRAWER FRONT				DRAWER BOX				SHELF			
	W	H	D	QTY	W	H	D	QTY	W	H	D	QTY	W	H	D	QTY
B09 32.5	8 1/2	19 5/8	3/4	1	8 1/2	6 1/4	3/4	1	5 3/8	4	21	1	7 3/8	21 3/4	3/4	1
B12 32.5	11 1/2	19 5/8	3/4	1	11 1/2	6 1/4	3/4	1	8 3/8	4	21	1	10 1/4	21 3/4	3/4	1
B15 32.5	14 1/2	19 5/8	3/4	1	14 1/2	6 1/4	3/4	1	11 3/8	4	21	1	13 1/4	21 3/4	3/4	1
B18 32.5	17 1/2	19 5/8	3/4	1	17 1/2	6 1/4	3/4	1	14 3/8	4	21	1	16 1/4	21 3/4	3/4	1
B21 32.5	20 1/2	19 5/8	3/4	1	20 1/2	6 1/4	3/4	1	17 3/8	4	21	1	19 1/4	21 3/4	3/4	1

\*AVAILABLE IN SELECT COLORS ONLY

# BASE CABINETS

## Base Full Height Door



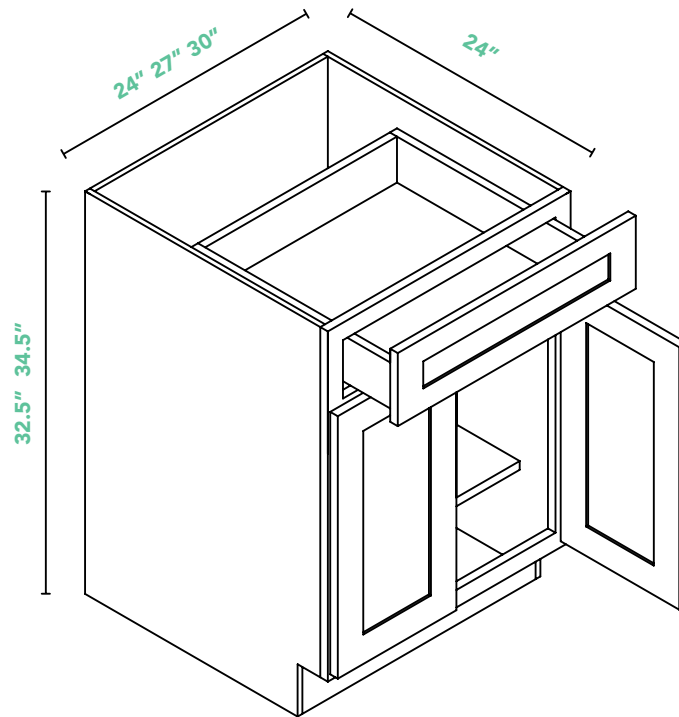
B09FD  
B09FD 32.5\*

SKU	CABINET DOORS				SHELF			
	W	H	D	QTY	W	H	D	QTY
B09FD	8 1/2	28 5/8	3/4	1	7 3/8	21 3/4	3/4	1
B09FD 32.5	8 1/2	26 5/8	3/4	1	7 3/8	21 3/4	3/4	1

\*AVAILABLE IN SELECT COLORS ONLY

# BASE CABINETS

## Base 1 Drawer 2 Doors



B24  
B27  
B30

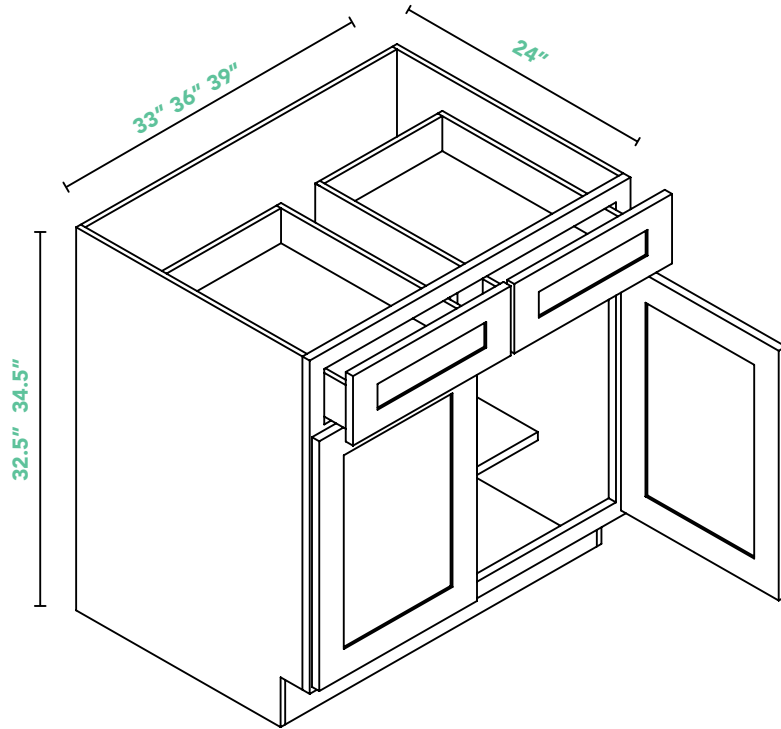
B24 32.5\*  
B27 32.5\*  
B30 32.5\*

SKU	CABINET DOORS				DRAWER FRONT				DRAWER BOX				SHELF			
	W	H	D	QTY	W	H	D	QTY	W	H	D	QTY	W	H	D	QTY
B24	11 3/4	21 5/8	3/4	2	23 1/2	6 1/4	3/4	1	20 1/2	4	21	1	22 1/4	21 3/4	3/4	1
B27	13 1/4	21 5/8	3/4	2	26 1/2	6 1/4	3/4	1	23 1/2	4	21	1	25 1/4	21 3/4	3/4	1
B30	14 3/4	21 5/8	3/4	2	29 1/2	6 1/4	3/4	1	27 1/2	4	21	1	28 1/4	21 3/4	3/4	1
B24 32.5	11 3/4	19 5/8	3/4	2	23 1/2	6 1/4	3/4	1	20 1/2	4	21	1	22 1/4	21 3/4	3/4	1
B27 32.5	13 1/4	19 5/8	3/4	2	26 1/2	6 1/4	3/4	1	23 1/2	4	21	1	25 1/4	21 3/4	3/4	1
B30 32.5	14 3/4	19 5/8	3/4	2	29 1/2	6 1/4	3/4	1	27 1/2	4	21	1	28 1/4	21 3/4	3/4	1

\*AVAILABLE IN SELECT COLORS ONLY

# BASE CABINETS

## Base 2 Drawers 2 Doors



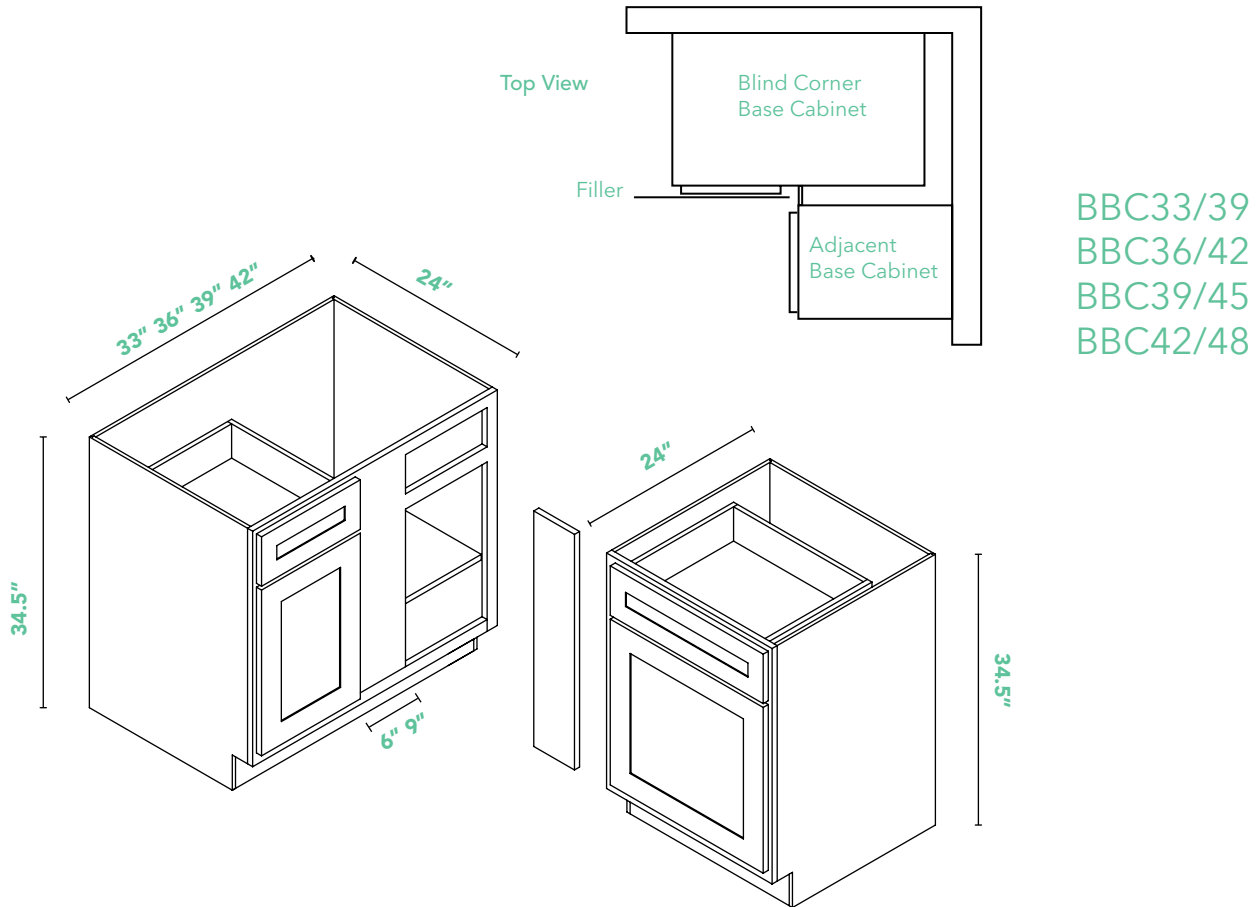
- B33
- B36
- B39\*
- B33 32.5\*
- B36 32.5\*
- B39 32.5\*

SKU	CABINET DOORS				DRAWER FRONT				DRAWER BOX				SHELF			
	W	H	D	QTY	W	H	D	QTY	W	H	D	QTY	W	H	D	QTY
B33	16 1/4	21 5/8	3/4	2	16 1/4	6 1/4	3/4	2	13 1/8	4	21	2	31 1/4	21 3/4	3/4	1
B36	17 3/4	21 5/8	3/4	2	17 3/4	6 1/4	3/4	2	15 7/8	4	21	2	34 1/4	21 3/4	3/4	1
B39	19 1/4	21 5/8	3/4	2	19 1/4	6 1/4	3/4	2	17 3/8	4	21	2	37 1/4	21 3/4	3/4	1
B33 32.5	16 1/4	19 5/8	3/4	2	16 1/4	6 1/4	3/4	2	13 1/8	4	21	2	31 1/4	21 3/4	3/4	1
B36 32.5	17 3/4	19 5/8	3/4	2	17 3/4	6 1/4	3/4	2	14 5/8	4	21	2	34 1/4	21 3/4	3/4	1
B39 32.5	19 1/4	19 5/8	3/4	2	19 1/4	6 1/4	3/4	2	17 3/8	4	21	2	37 1/4	21 3/4	3/4	1

\*AVAILABLE IN SELECT COLORS ONLY

# BASE CABINETS

## Blind Base Corner



SKU	CABINET DOORS				DRAWER FRONT				DRAWER BOX				SHELF			
	W	H	D	QTY	W	H	D	QTY	W	H	D	QTY	W	H	D	QTY
BBC3339	11 1/2	21 5/8	3/4	1	11 1/2	6 1/4	3/4	1	8 3/8	4	21	1	31 1/4	21 3/4	3/4	1
BBC3642	14 1/2	21 5/8	3/4	1	14 1/2	6 1/4	3/4	1	11 3/8	4	21	1	34 1/4	21 3/4	3/4	1
BBC3945	14 1/2	21 5/8	3/4	1	14 1/2	6 1/4	3/4	1	11 3/8	4	21	1	37 1/4	21 3/4	3/4	1
BBC4248	17 1/2	21 5/8	3/4	1	17 1/2	6 1/4	3/4	1	14 3/8	4	21	1	40 1/4	21 3/4	3/4	1

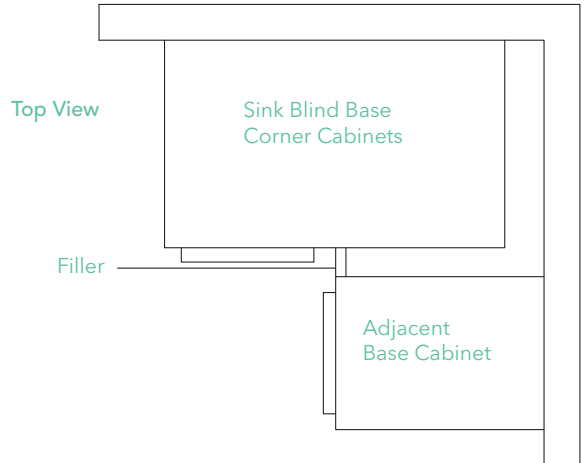
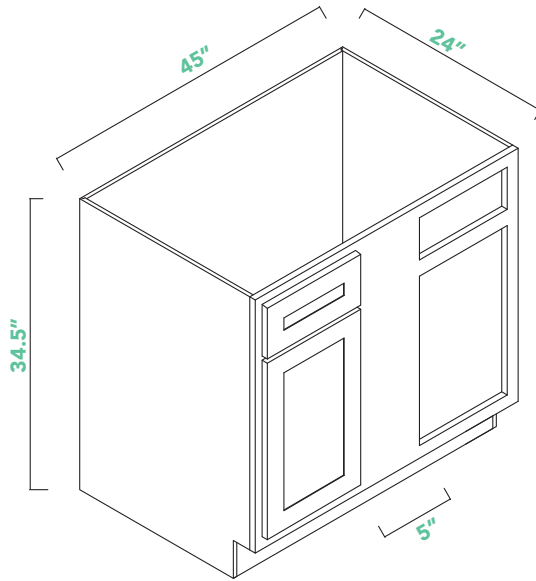
Door and Drawer can be Reversed in the Field as Blind Sections are Identical  
 Must Order a Base Filler Separately  
 Refer to Installation Chart

BBC33/39 - Actual Cabinet Width is 33" - 12" Drawer with 9" Center Filler ( Need Minimum 39" Clearance)  
 BBC36/42 - Actual Cabinet Width is 36" - 15" Drawer with 6" Center Filler ( Need Minimum 42" Clearance)  
 BBC39/45 - Actual Cabinet Width is 39" - 15" Drawer with 9" Center Filler ( Need Minimum 45" Clearance)  
 BBC42/48 - Actual Cabinet Width is 42" - 18" Drawer with 6" Center Filler ( Need Minimum 45" Clearance)



# BASE CABINETS

## Sink Blind Base Corner Cabinets



SBBC45/48\*

SKU	CABINET DOORS				DRAWER FRONT			
	W	H	D	QTY	W	H	D	QTY
SBBC4548	20.5	21 5/8	3/4	1	20.5	6 1/4	3/4	1

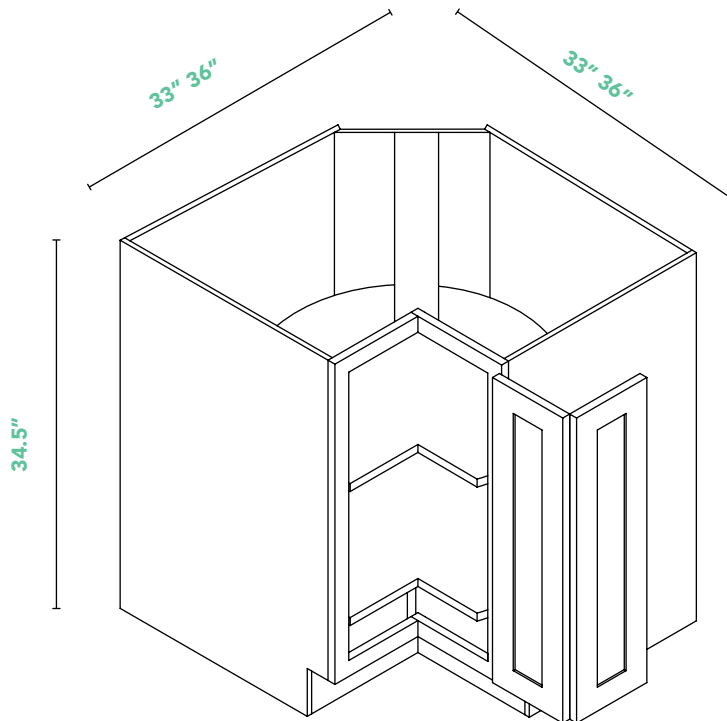
Door and Drawer can be Reversed in the Field as Blind Sections are Identical  
 Must Order a Base Filler Separately  
 Refer to Installation Chart

SBBC45/48 - Actual Cabinet Width is 45" - 21" Drawer with 5" Center Filler ( Need Minimum 48" Clearance)

\*AVAILABLE IN SELECT COLORS ONLY

# BASE CABINETS

## Base Lazy Susan



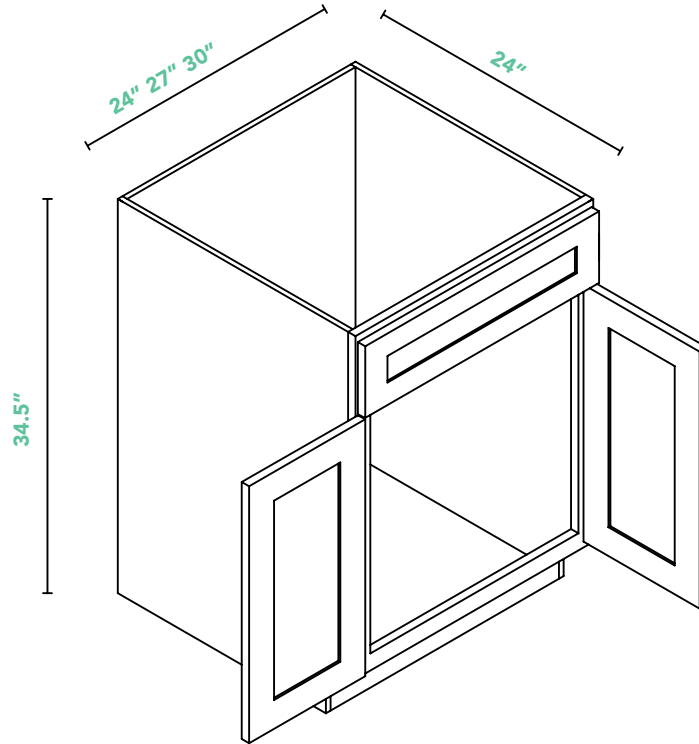
BLS33  
BLS36

SKU	CABINET DOORS				SHELF			
	W	H	D	QTY	W	H	D	QTY
BLS33	7 5/8	28 5/8	3/4	2	31 1/2	31 1/2	3/4	2
BLS36	10 5/8	28 5/8	3/4	2	34 1/4	34 1/4	3/4	2

Both Wooden Lazy Susan Trays Rotate Independently  
Soft Close Hinge Not Available  
Once Assembled, Doors Cannot be Reversed

# BASE CABINETS

## 1 False Drawer Front Sink Base

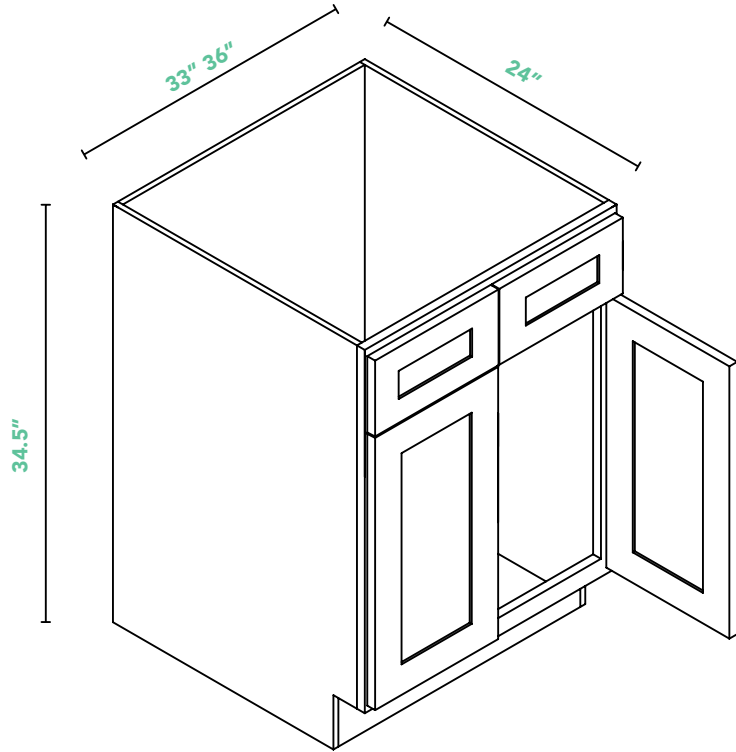


SB24  
SB27  
SB30

SKU	CABINET DOORS				DRAWER FRONT			
	W	H	D	QTY	W	H	D	QTY
SB24	11 3/4	21 5/8	3/4	2	23 1/2	6 1/4	3/4	1
SB27	13 1/4	21 5/8	3/4	2	26 1/2	6 1/4	3/4	1
SB30	14 3/4	21 5/8	3/4	2	29 1/2	6 1/4	3/4	1

# BASE CABINETS

## | 2 False Drawer Front Sink Base

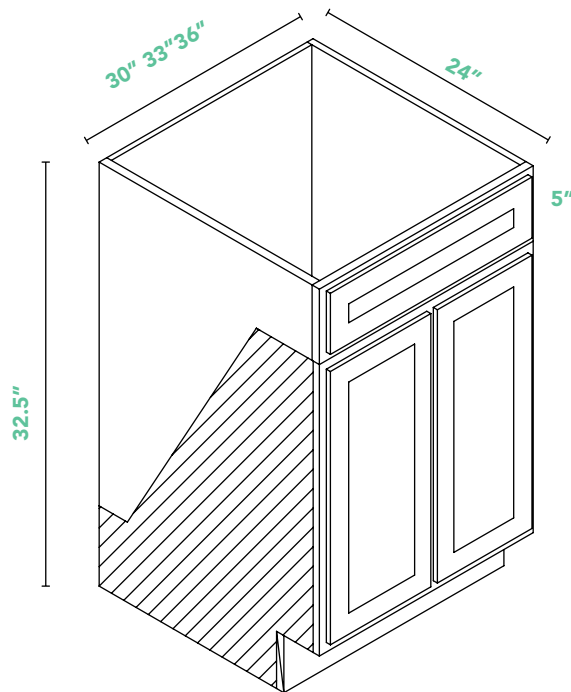


SB33  
SB36

SKU	CABINET DOORS				DRAWER			
	W	H	D	QTY	W	H	D	QTY
SB33	16 1/4	21 5/8	3/4	2	16 1/4	6 3/8	3/4	2
SB36	17 3/4	21 5/8	3/4	2	17 3/4	6 3/8	3/4	2

# BASE CABINETS

## 1 Drawer Removable Sink Front Base

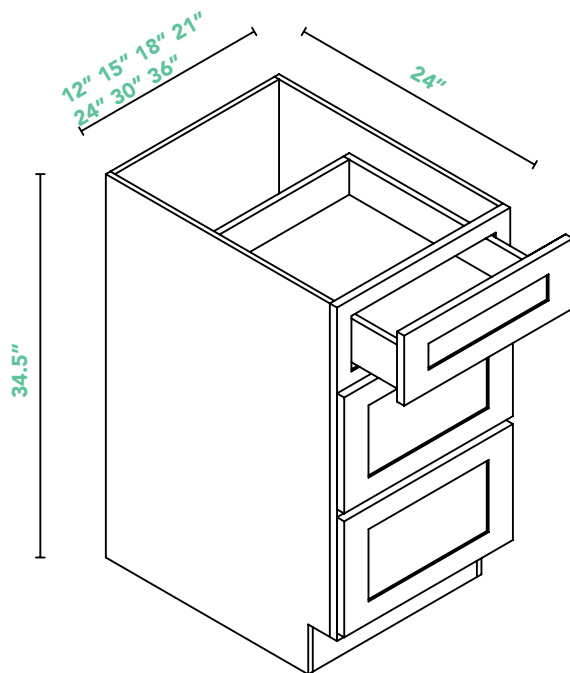


SB30 R/F 32.5  
 SB33 R/F 32.5  
 SB36 R/F 32.5

SKU	CABINET DOORS				DRAWER HEAD			
	W	H	D	QTY	W	H	D	QTY
SB30 R/F 32.5	14 3/4	19 5/8	3/4	2	29 1/2	5	3/4	1
SB33 R/F 32.5	16 1/4	19 5/8	3/4	2	32 1/2	5	3/4	1
SB36 R/F 32.5	17 3/4	19 5/8	3/4	2	35 1/2	5	3/4	1

# BASE CABINETS

## 3 Drawers Base

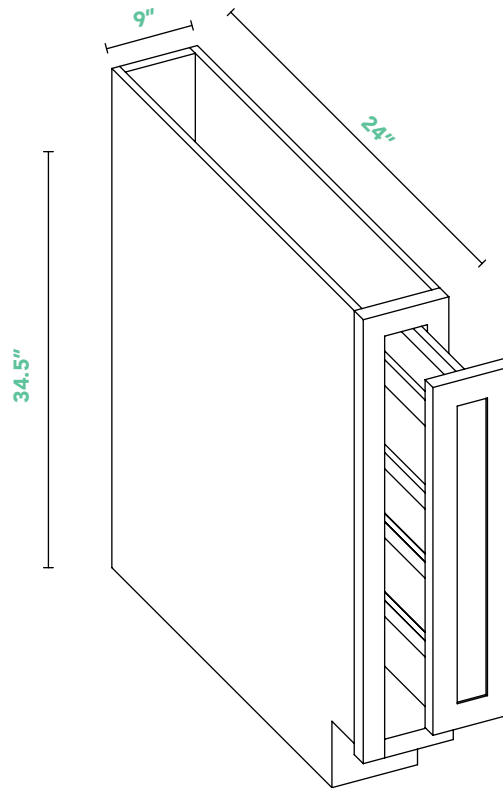


DB12-3D  
 DB15-3D  
 DB18-3D  
 DB21-3D  
 DB24-3D  
 DB30-3D  
 DB36-3D

SKU	TOP DRAWER FRONT				BOTTOM DRAWER FRONT				TOP DRAWER BOX			BOTTOM DRAWER BOX			
	W	H	D	QTY	W	H	D	QTY	W	H	D	W	H	D	QTY
DB12-3D	11 1/2	6 3/8	3/4	1	11 1/2	10 3/8	3/4	2	8 1/2	4	21	8 1/2	6	21	2
DB15-3D	14 1/2	6 3/8	3/4	1	14 1/2	10 3/8	3/4	2	11 1/2	4	21	11 1/2	6	21	2
DB18-3D	17 1/2	6 3/8	3/4	1	17 1/2	10 3/8	3/4	2	14 1/2	4	21	14 1/2	6	21	2
DB21-3D	20 1/2	6 3/8	3/4	1	20 1/2	10 3/8	3/4	2	17 1/2	4	21	17 1/2	6	21	2
DB24-3D	23 1/2	6 3/8	3/4	1	23 1/2	10 3/8	3/4	2	20 1/2	4	21	20 1/2	6	21	2
DB30-3D	29 1/2	6 3/8	3/4	1	29 1/2	10 3/8	3/4	2	26 1/2	4	21	26 1/2	6	21	2
DB36-3D	35 1/2	6 3/8	3/4	1	35 1/2	10 3/8	3/4	2	32 1/2	4	21	32 1/2	6	21	2

# BASE CABINETS

## Base Spice Rack

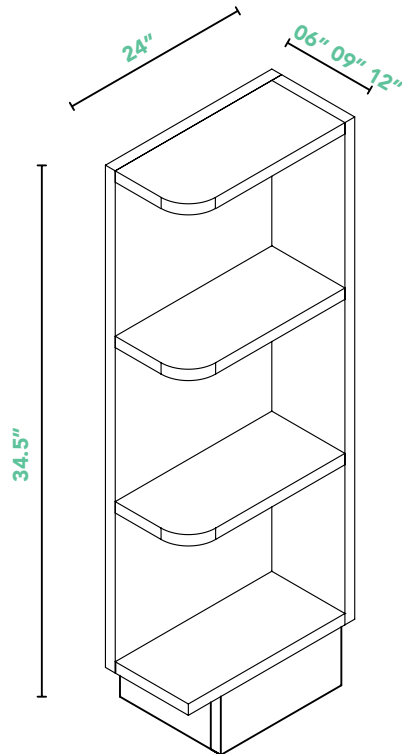


BSP09

SKU	DRAWER HEAD				CABINET BOX			
	W	H	D	QTY	W	H	D	QTY
BSP09	8 1/2	28 5/8	3/4	1	5	25 7/8	21 1/8	1

# BASE CABINETS

## 3 Open Shelves Base



BEOS06L/R\*  
BEOS09L/R\*  
BEOS12L/R

SKU	OUTSIDE		
	W	H	D
BEOS06L/R	6	34.5	24
BEOS09L/R	9	34.5	24
BEOS12L/R	12	34.5	24

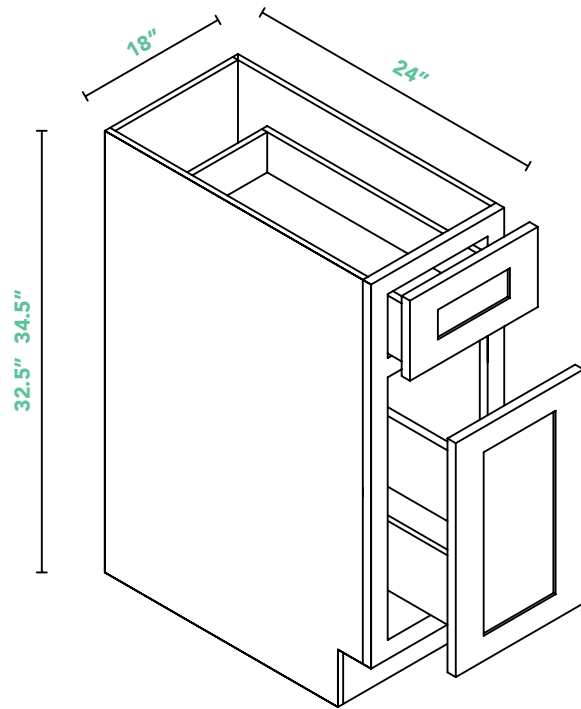
Come as 12" (Magnolia Cabinetry will Cut to 6" or 9" at Additional Charge)

\*NOT IN STOCK, SPECIAL ORDER ONLY



# BASE CABINETS

## Trash Pull Out Base 1 Door 1 Drawer



TB18  
TB18 32.5\*

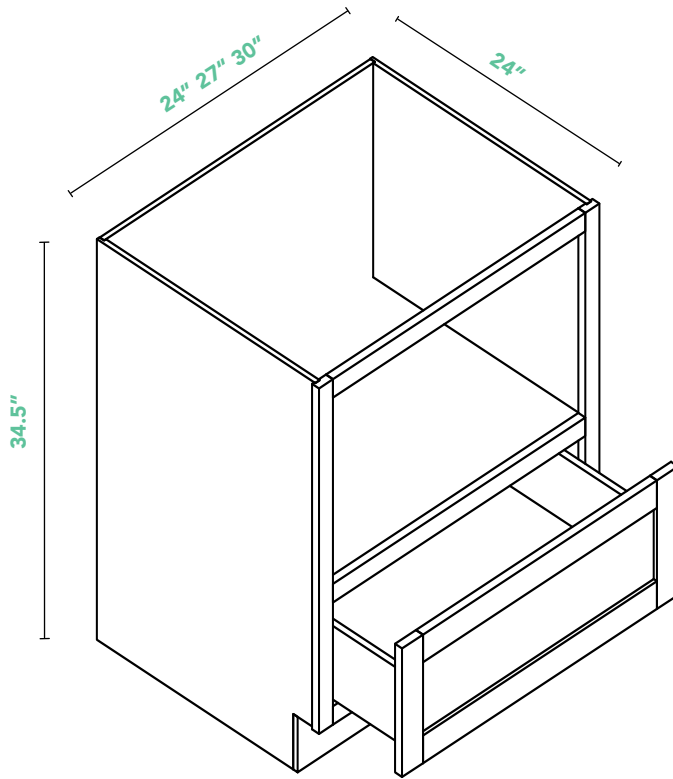
SKU	BOTTOM DRAWER FRONT				DRAWER FRONT				DRAWER BOX			
	W	H	D	QTY	W	H	D	QTY	W	H	D	QTY
TB18	17 1/2	21 5/8	3/4	1	17 1/2	6 1/4	3/4	1	14 3/8	4	21	1
TB18 32.5	17 1/2	19 5/8	3/4	1	17 1/2	6 1/4	3/4	1	14 3/8	4	21	1

Soft Close Glides are Not Available for Trash Pull Out  
Double Trash Can - 35 Quart

\*NOT IN STOCK, SPECIAL ORDER ONLY

# BASE CABINETS

## Base Microwave Cabinet



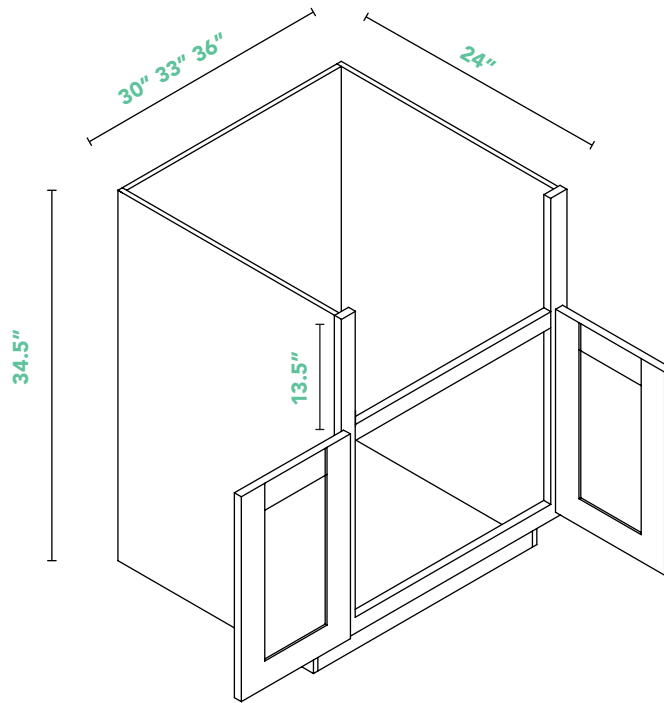
BMC24\*  
BMC27\*  
BMC30

SKU	DRAWER FRONT				DRAWER BOX			
	W	H	D	QTY	W	H	D	QTY
BMC24	24 1/2	10 1/2	3/4	1	21 3/8	6	21	1
BMC27	26 1/2	10 1/2	3/4	1	23 3/8	6	21	1
BMC30	29 1/2	10 1/2	3/4	1	26 3/8	6	21	1

\*NOT IN STOCK, SPECIAL ORDER ONLY

# BASE CABINETS

## Farm Sink Base



FSB30  
FSB33  
FSB36

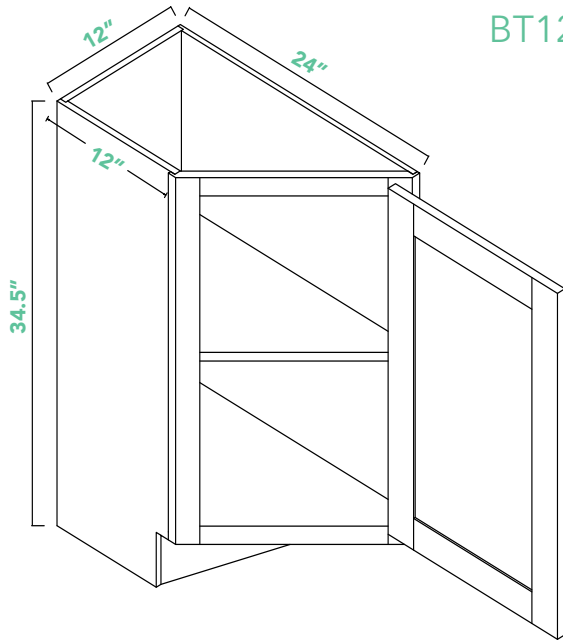
SKU	CABINET DOORS			
	W	H	D	QTY
FSB30	14 3/4	15	3/4	2
FSB33	16 1/4	15	3/4	2
FSB36	17 3/4	15	3/4	2

This is a universal farm sink base. Installer may need to add a filler panel (horizontally) depending on the depth of the farm sink vessel.

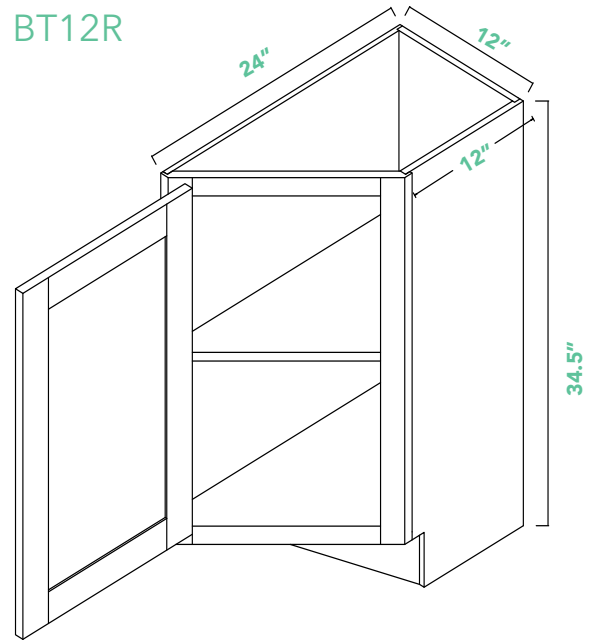
Installer may need to provide additional support below the sink.

# BASE CABINETS

## Base Transitional Left/Right



BT12L



BT12R

SKU	CABINET DOORS			
	W	H	D	QTY
BTL12	14 3/8	28 5/8	3/4	1
BTR12	14 3/8	28 5/8	3/4	1

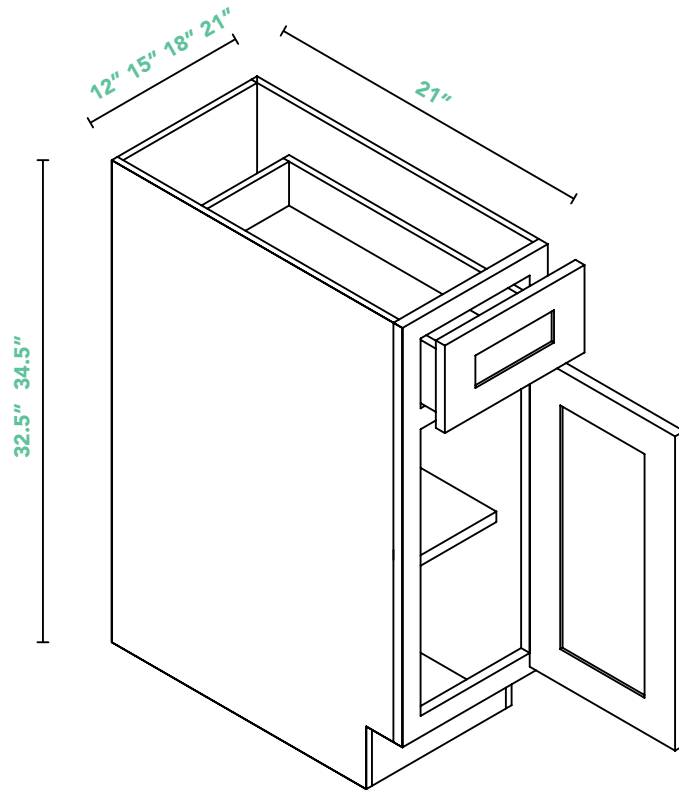


# VANITY CABINETS

\*NOT IN STOCK, SPECIAL ORDER ONLY

# VANITY CABINETS

## Vanity Base



VB12  
VB15  
VB18\*  
VB21\* ONLY HSK

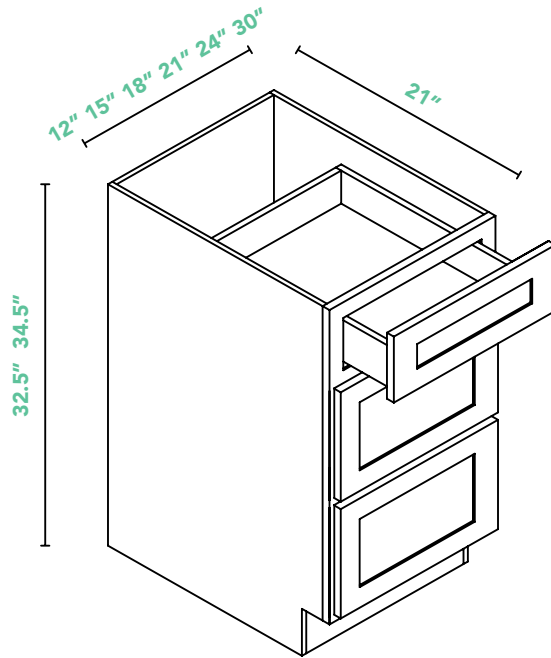
VB12 32.5  
VB15 32.5  
VB18 32.5  
VB21 32.5

SKU	CABINET DOORS				DRAWER FRONT				SHELF			
	W	H	D	QTY	W	H	D	QTY	W	H	D	QTY
VB12	11 1/2	21 5/8	3/4	1	8 1/2	4	21	1	10 1/4	18 5/8	3/4	1
VB15	14 1/2	21 5/8	3/4	1	11 1/2	4	21	1	13 1/4	18 5/8	3/4	1
VB18	17 1/2	21 5/8	3/4	1	14 1/2	4	21	1	16 1/4	18 5/8	3/4	1
VB21	20 1/2	21 5/8	3/4	1	17 1/2	4	21	1	19 1/4	18 5/8	3/4	1
VB12 32.5	11 1/2	19 5/8	3/4	1	8 1/2	4	21	1	10 1/4	18 5/8	3/4	1
VB15 32.5	14 1/2	19 5/8	3/4	1	11 1/2	4	21	1	13 1/4	18 5/8	3/4	1
VB18 32.5	17 1/2	19 5/8	3/4	1	14 1/2	4	21	1	16 1/4	18 5/8	3/4	1
VB21 32.5	20 1/2	19 5/8	3/4	1	17 1/2	4	21	1	19 1/4	18 5/8	3/4	1

\*NOT IN STOCK, SPECIAL ORDER ONLY

# VANITY CABINETS

## Vanity 3 Drawers Base



- VDB1221
- VDB1521
- VDB1821\*
- VDB2121\*
- VDB2421\*
- VDB3021\*
- VDB1221 32.5\*
- VDB1521 32.5\*
- VDB1821 32.5\*
- VDB2121 32.5\*
- VDB2421 32.5\*
- VDB3021 32.5\*

VANITY CABINETS

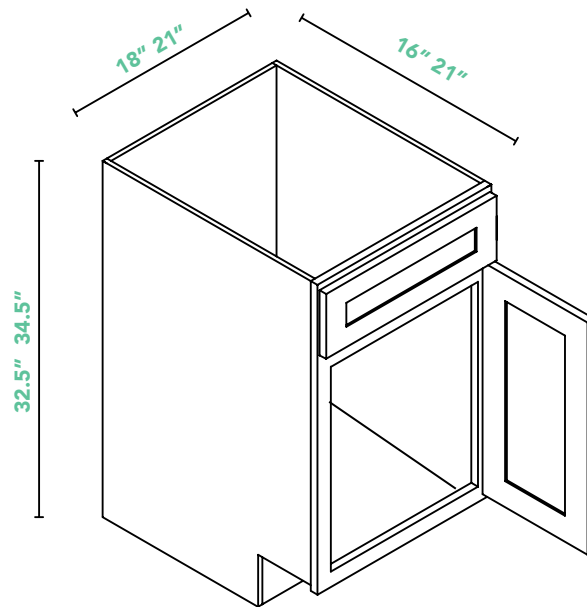
SKU	TOP DRAWER FRONT				BOTTOM DRAWER HEAD				TOP DRAWER BOX			BOTTOM DRAWER BOX			
	W	H	D	QTY	W	H	D	QTY	W	H	D	W	H	D	QTY
VDB1221	11 1/2	6 1/4	3/4	1	11 1/2	10 3/8	3/4	2	8 1/2	4	18	8 1/2	6	18	2
VDB1521	14 1/2	6 1/4	3/4	1	14 1/2	10 3/8	3/4	2	11 1/2	4	18	11 1/2	6	18	2
VDB1821	17 1/2	6 1/4	3/4	1	17 1/2	10 3/8	3/4	2	14 1/2	4	18	14 1/2	6	18	2
VDB2121	20 1/2	6 1/4	3/4	1	20 1/2	10 3/8	3/4	2	17 1/2	4	18	17 1/2	6	18	2
VDB2421	23 1/2	6 1/4	3/4	1	23 1/2	10 3/8	3/4	2	20 1/2	4	18	20 1/2	6	18	2
VDB3021	29 1/2	6 1/4	3/4	1	29 1/2	10 3/8	3/4	2	26 1/2	4	18	26 1/2	6	18	2

SKU	TOP DRAWER FRONT				BOTTOM DRAWER HEAD				TOP DRAWER BOX			BOTTOM DRAWER BOX			
	W	H	D	QTY	W	H	D	QTY	W	H	D	W	H	D	QTY
VDB1221 32.5	11 1/2	6 1/4	3/4	1	11 1/2	9 1/2	3/4	2	8 1/2	4	18	8 1/2	6	18	2
VDB1521 32.5	14 1/2	6 1/4	3/4	1	14 1/2	9 1/2	3/4	2	11 1/2	4	18	11 1/2	6	18	2
VDB1821 32.5	17 1/2	6 1/4	3/4	1	17 1/2	9 1/2	3/4	2	14 1/2	4	18	14 1/2	6	18	2
VDB2121 32.5	20 1/2	6 1/4	3/4	1	20 1/2	9 1/2	3/4	2	17 1/2	4	18	17 1/2	6	18	2
VDB2421 32.5	23 1/2	6 1/4	3/4	1	23 1/2	9 1/2	3/4	2	20 1/2	4	18	20 1/2	6	18	2
VDB3021 32.5	29 1/2	6 1/4	3/4	1	29 1/2	9 1/2	3/4	2	26 1/2	4	18	26 1/2	6	18	2

\*NOT IN STOCK, SPECIAL ORDER ONLY

# VANITY CABINETS

Vanity Sink Base 1 False Drawer 1 Door



VSB1816  
 VSB1821\*  
 VSB2121\*  
 VSB1816 32.5\*  
 VSB1821 32.5\*  
 VSB2121 32.5\*

SKU	CABINET DOOR				DRAWER FRONT			
	W	H	D	QTY	W	H	D	QTY
VSB1816	17 1/2	21 5/8	3/4	1	17 1/2	6 1/4	3/4	1
VSB1821	17 1/2	21 5/8	3/4	1	17 1/2	6 1/4	3/4	1
VSB2121	20 1/2	21 5/8	3/4	1	20 1/2	6 1/4	3/4	1
VSB1816 32.5	17 1/2	19 5/8	3/4	1	17 1/2	6 1/4	3/4	1
VSB1821 32.5	17 1/2	19 5/8	3/4	1	17 1/2	6 1/4	3/4	1
VSB2121 32.5	20 1/2	19 5/8	3/4	1	20 1/2	6 1/4	3/4	1

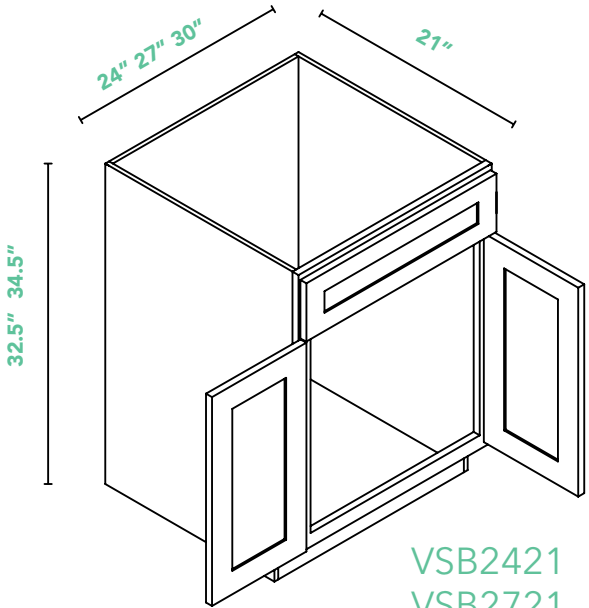
\*NOT IN STOCK, SPECIAL ORDER ONLY



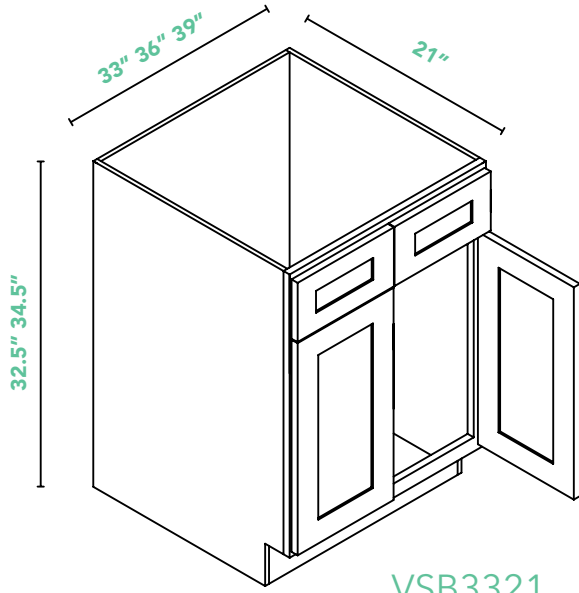
# VANITY CABINETS

## Vanity Sink Base False Drawer 2 Doors

VANITY CABINETS



- VSB2421
- VSB2721
- VSB3021
- VSB2421 32.5\*
- VSB2721 32.5\*
- VSB3021 32.5\*



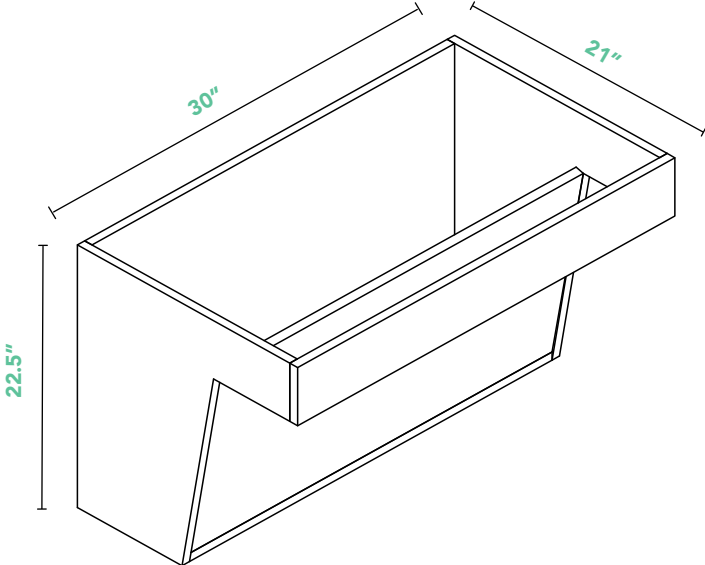
- VSB3321
- VSB3621
- VSB3921\*
- VSB3321 32.5\*
- VSB3621 32.5\*
- VSB3921 32.5\*

SKU	CABINET DOOR				DRAWER FRONT			
	W	H	D	QTY	W	H	D	QTY
VSB2421	11 3/4	21 5/8	3/4	2	23 1/2	6 1/4	3/4	1
VSB2721	13 1/4	21 5/8	3/4	2	26 1/2	6 1/4	3/4	1
VSB3021	14 3/4	21 5/8	3/4	2	29 1/2	6 1/4	3/4	1
VSB3321	16 1/4	21 5/8	3/4	2	32 1/2	6 1/4	3/4	2
VSB3621	17 3/4	21 5/8	3/4	2	35 1/2	6 1/4	3/4	2
VSB3921	19 1/4	21 5/8	3/4	2	38 1/2	6 1/4	3/4	2
VSB2421 32.5	11 3/4	19 5/8	3/4	2	23 1/2	6 1/4	3/4	1
VSB2712 32.5	13 1/4	19 5/8	3/4	2	26 1/2	6 1/4	3/4	1
VSB3021 32.5	14 3/4	19 5/8	3/4	2	29 1/2	6 1/4	3/4	1
VSB3321 32.5	16 1/4	19 5/8	3/4	2	32 1/2	6 1/4	3/4	2
VSB3621 32.5	17 3/4	19 5/8	3/4	2	35 1/2	6 1/4	3/4	2
VSB3921 32.5	19 1/4	19 5/8	3/4	2	38 1/2	6 1/4	3/4	2

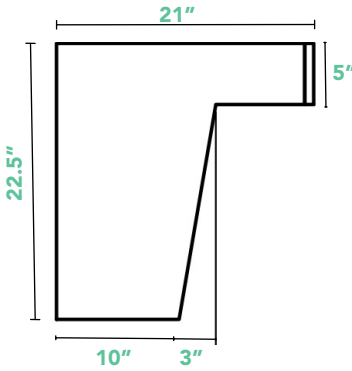
\*NOT IN STOCK, SPECIAL ORDER ONLY

# VANITY CABINETS

## | Vanity Sink Base Removable Front No Door



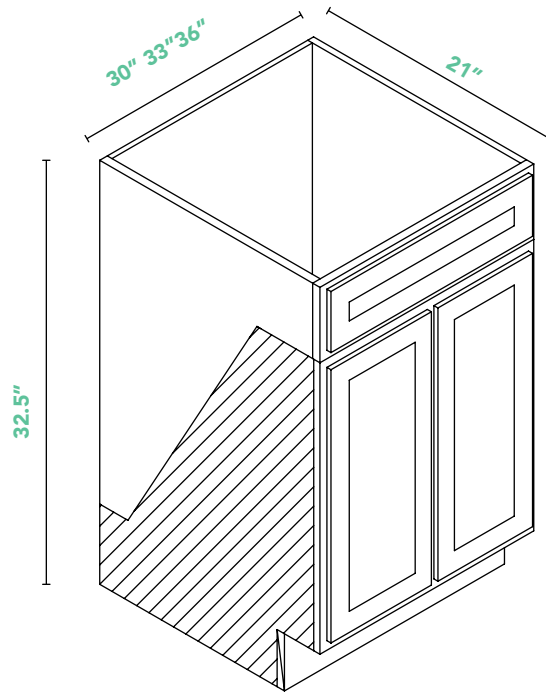
VSB3021 R/F ND



SKU	OUTSIDE		
	W	H	D
VSB3021 R/F NO DOOR	30	22.5	21

# VANITY CABINETS

Removable Front Vanity Sink Base 1 Drawer 2 Doors



VSB3021 R/F 32.5  
 VSB3321 R/F 32.5\*  
 VSB3621 R/F 32.5

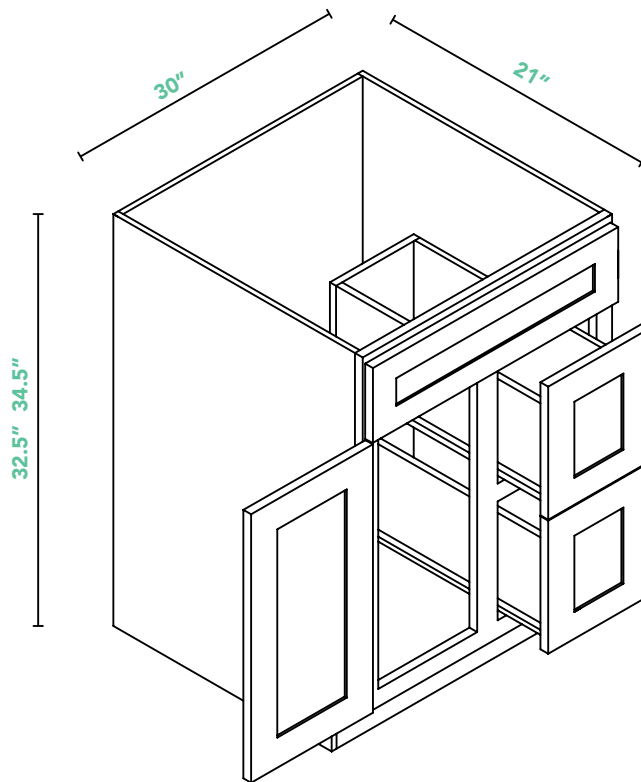
VANITY CABINETS

SKU	CABINET DOOR				DRAWER FRONT			
	W	H	D	QTY	W	H	D	QTY
VSB3021 R/F 32.5	14 3/4	19 5/8	3/4	2	29 1/2	5	3/4	1
VSB3321 R/F 32.5	16 1/4	19 5/8	3/4	2	32 1/2	5	3/4	1
VSB3621 R/F 32.5	17 3/4	19 5/8	3/4	2	35 1/2	5	3/4	1

\*NOT IN STOCK, SPECIAL ORDER ONLY

# VANITY CABINETS

## Vanity Sink Drawer Base 2 Drawers



VSD3021L\*  
VSD3021R\*

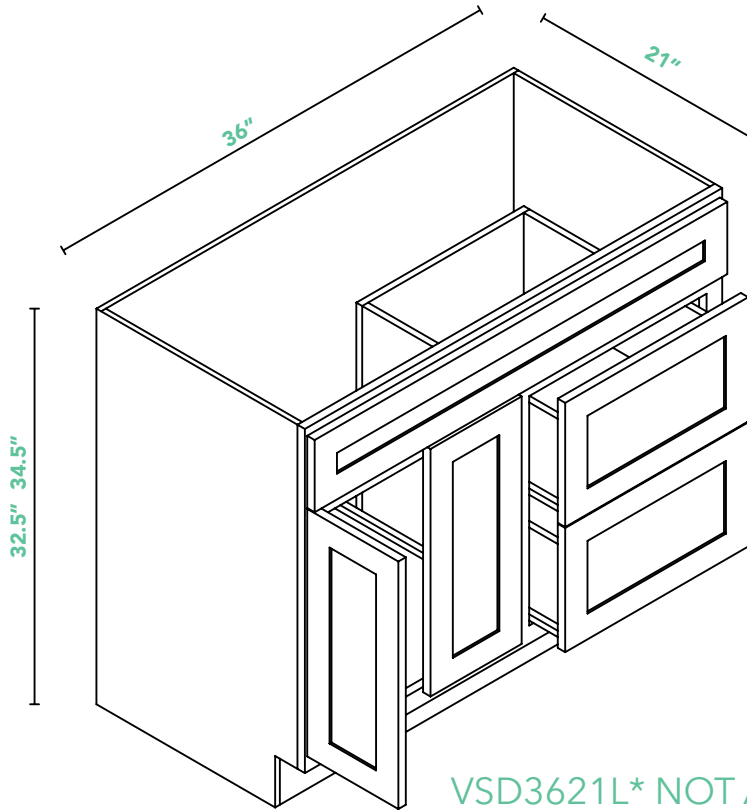
SKU	TOP FALSE DRAWER FRONT				SIDE DRAWER FRONT				SIDE DRAWER BOX				CABINET DOOR			
	W	H	D	QTY	W	H	D	QTY	W	H	D	QTY	W	H	D	QTY
VSD3021L/R 32.5	29 1/2	6 1/4	3/4	1	14 1/2	9 1/2	3/4	2	11 1/2	6	18	2	14 1/2	19 5/8	3/4	1
VSD3021L/R	29 1/2	6 1/4	3/4	1	14 1/2	10 3/8	3/4	2	11 1/2	6	18	2	14 1/2	21 5/8	3/4	1

\*NOT IN STOCK, SPECIAL ORDER ONLY

# VANITY CABINETS

## Vanity Sink Drawer Base 2 Drawers

VANITY CABINETS



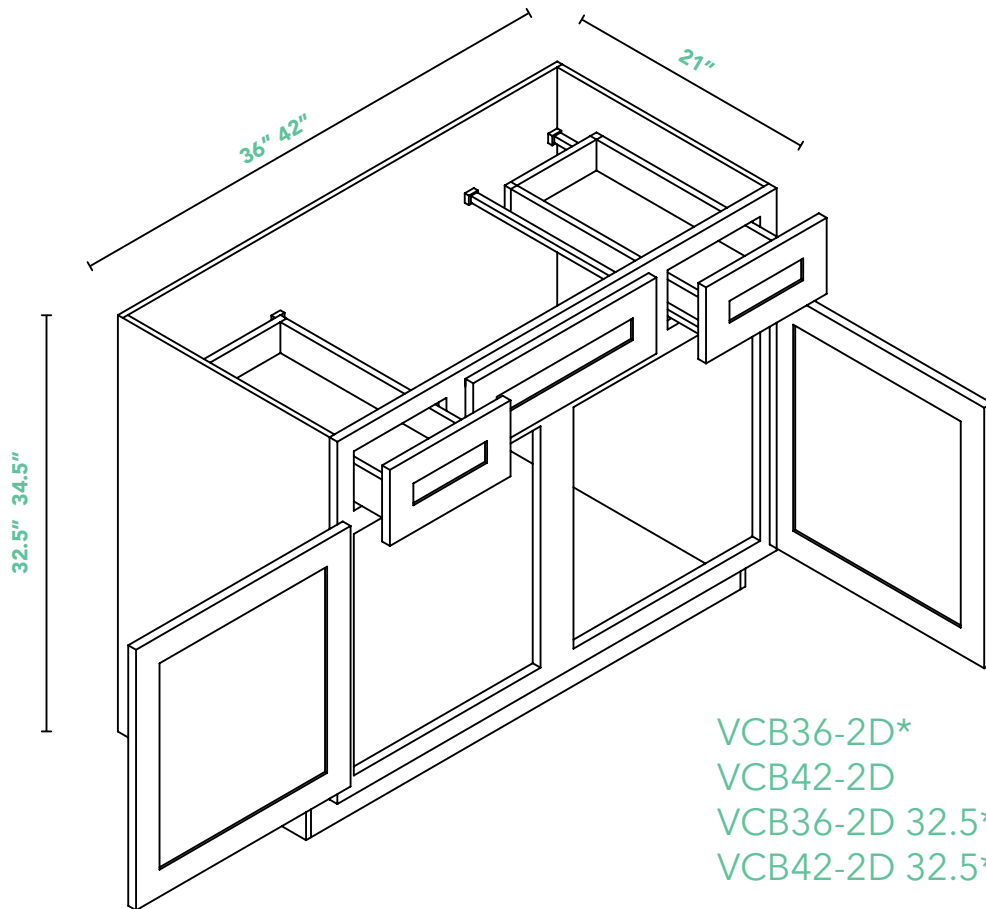
VSD3621L\* NOT AVAILABLE IN TSK  
 VSD3621R\* NOT AVAILABLE IN TSK  
 VSD3621 32.5\*

SKU	TOP FALSE DRAWER FRONT				SIDE DRAWER FRONT				SIDE DRAWER BOX				CABINET DOOR			
	W	H	D	QTY	W	H	D	QTY	W	H	D	QTY	W	H	D	QTY
VSD3621L/R 32.5	35 1/2	6 1/4	3/4	1	11 5/8	9 1/2	3/4	2	8 3/8	6	18	2	11 3/4	19 5/8	3/4	2
VSD3621L/R	1/2	6 1/4	3/4	1	11 5/8	10 3/8	3/4	2	8 3/8	6	18	2	11 3/4	21 5/8	3/4	2

\*NOT IN STOCK, SPECIAL ORDER ONLY

# VANITY CABINETS

## Vanity Combo Base 2 Drawers



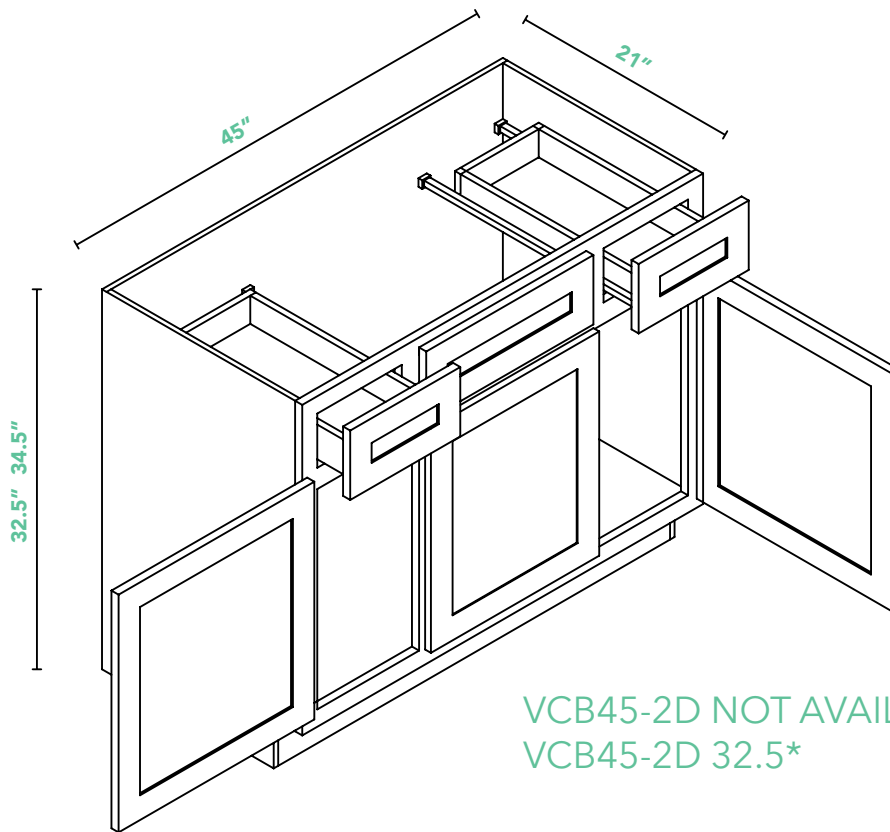
SKU	MIDDLE DRAWER FRONT				SIDE DRAWER FRONT				SIDE DRAWER BOX				CABINET DOOR			
	W	H	D	QTY	W	H	D	QTY	W	H	D	QTY	W	H	D	QTY
VCB36-2D	17 1/2	6 1/4	3/4	1	8 5/8	6 1/4	3/4	2	5 3/8	4	18	2	17 3/4	21 5/8	3/4	2
VCB42-2D	23 1/2	6 1/4	3/4	1	8 5/8	6 1/4	3/4	2	5 3/8	4	18	2	20 3/4	21 5/8	3/4	2
VCB36-2D 32.5	17 1/2	6 1/4	3/4	1	8 5/8	6 1/4	3/4	2	5 3/8	4	18	2	17 3/4	19 5/8	3/4	2
VCB42-2D 32.5	23 1/2	6 1/4	3/4	1	8 5/8	6 1/4	3/4	2	5 3/8	4	18	2	20 3/4	19 5/8	3/4	2

Soft Close Glides are Not Available

\*NOT IN STOCK, SPECIAL ORDER ONLY

# VANITY CABINETS

## Vanity Combo Base 2 Drawers



VANITY CABINETS

VCB45-2D NOT AVAILABLE IN HSK  
VCB45-2D 32.5\*

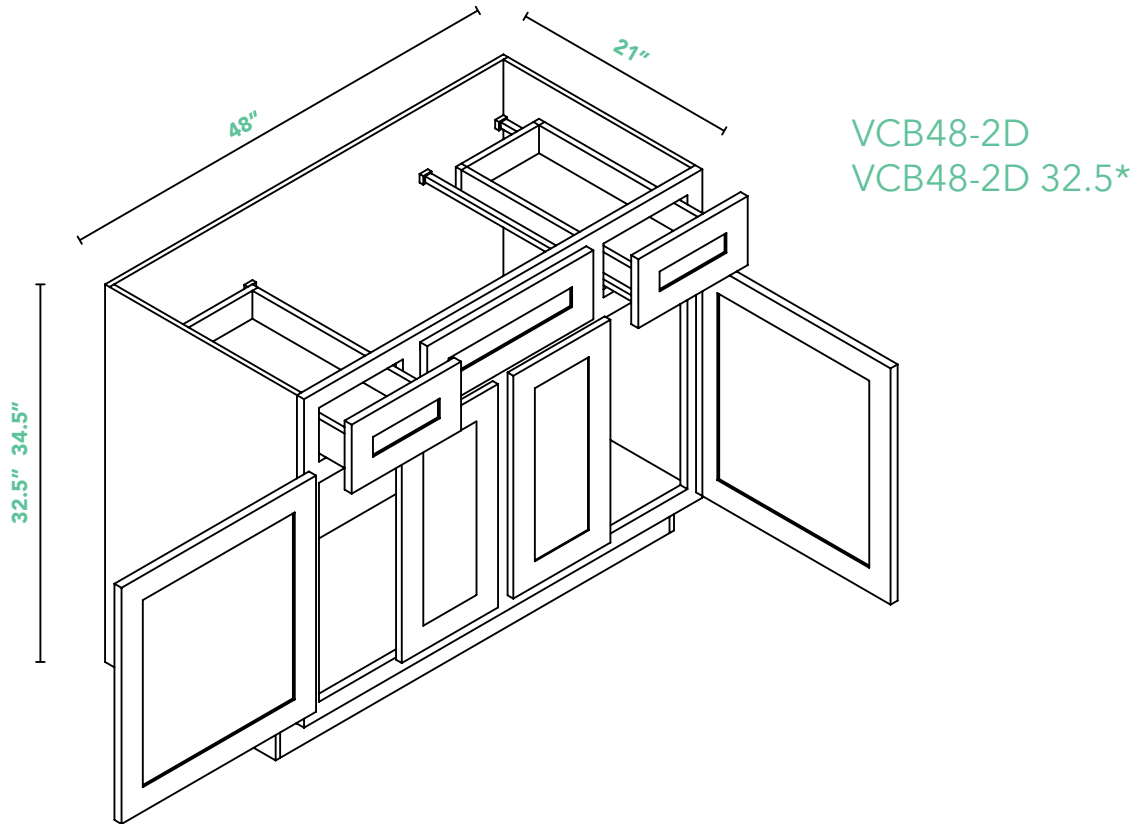
SKU	MIDDLE DRAWER FRONT				SIDE DRAWER FRONT				SIDE DRAWER BOX				CABINET DOOR			
	W	H	D	QTY	W	H	D	QTY	W	H	D	QTY	W	H	D	QTY
VCB45-2D	20 1/2	6 1/4	3/4	1	11 1/2	6 1/4	3/4	2	8 1/2	4	18	2	11 1/2	21 5/8	3/4	2
VCB45-2D 32.5	20 1/2	6 1/4	3/4	1	11 1/2	6 1/4	3/4	2	8 1/2	4	18	2	11 1/2	19 5/8	3/4	2

SKU	MIDDLE DOOR			
	W	H	D	QTY
VCB45-2D	20 1/2	21 5/8	3/4	1
VCB45-2D 32.5	20 1/2	19 5/8	3/4	1

\*NOT IN STOCK, SPECIAL ORDER ONLY

# VANITY CABINETS

## Vanity Combo Base 2 Drawers



SKU	MIDDLE DRAWER FRONT				SIDE DRAWER FRONT				SIDE DRAWER BOX				CABINET DOOR			
	W	H	D	QTY	W	H	D	QTY	W	H	D	QTY	W	H	D	QTY
VCB48-2D	23 1/2	6 1/4	3/4	1	11 1/2	6 1/4	3/4	2	8 3/8	4	18	2	11 1/2	21 5/8	3/4	2
VCB48-2D 32.5	23 1/2	6 1/4	3/4	1	11 1/2	6 1/4	3/4	2	8 3/8	4	18	2	11 1/2	19 5/8	3/4	2

SKU	MIDDLE DOOR			
	W	H	D	QTY
VCB48-2D	11 3/4	21 5/8	3/4	2
VCB48-2D 32.5	11 3/4	19 5/8	3/4	2

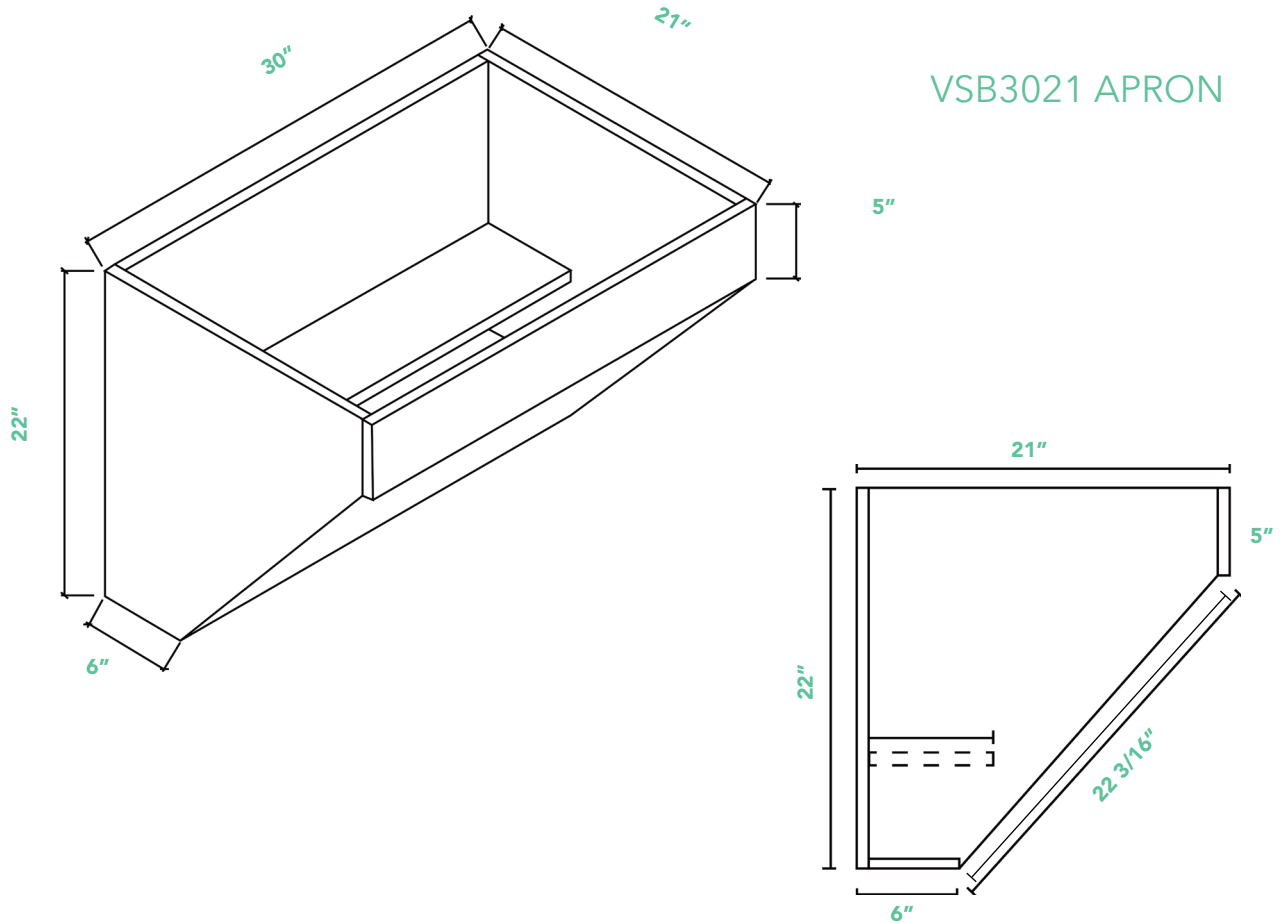
\*NOT IN STOCK, SPECIAL ORDER ONLY



# VANITY CABINETS

## Vanity Sink Base APRON

VANITY CABINETS



VSB3021 APRON

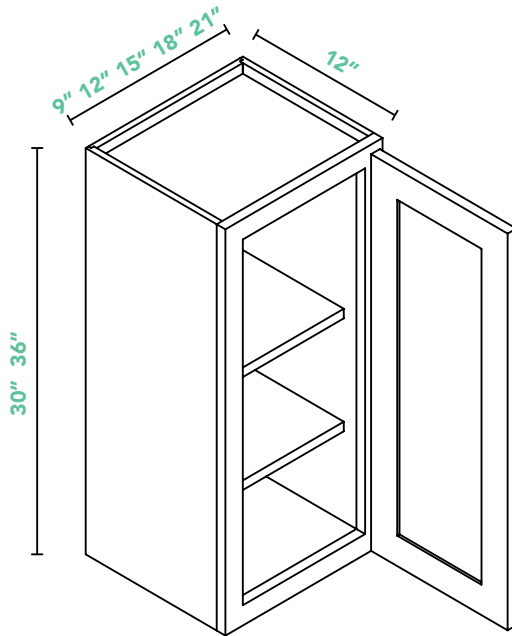
SKU	OUTSIDE		
	W	H	D
VSB3021 APRON	30	22	21



# WALL CABINETS

# WALL CABINETS

## Wall Cabinets 1 Door



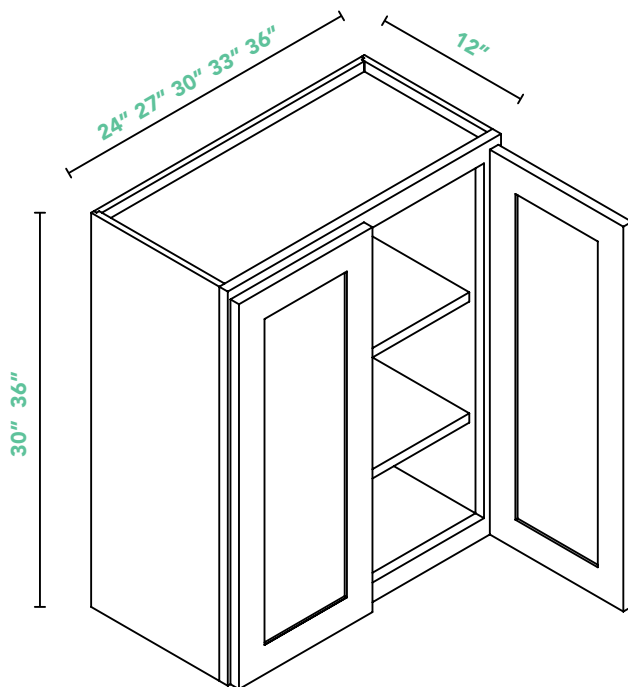
- W0930
- W0936
- W1230
- W1236
- W1530
- W1536
- W1830
- W1836
- W2130
- W2136

WALL CABINETS

SKU	SHELF				CABINET DOOR			
	W	H	D	QTY	W	H	D	QTY
W0930	7 3/8	10 1/2	3/4	2	8 1/2	29 1/2	3/4	1
W0936	7 3/8	10 1/2	3/4	2	8 1/2	35 1/2	3/4	1
W1230	10 3/8	10 1/2	3/4	2	11 1/2	29 1/2	3/4	1
W1236	10 3/8	10 1/2	3/4	2	11 1/2	35 1/2	3/4	1
W1530	13 3/8	10 1/2	3/4	2	14 1/2	29 1/2	3/4	1
W1536	13 3/8	10 1/2	3/4	2	14 1/2	35 1/2	3/4	1
W1830	16 3/8	10 1/2	3/4	2	17 1/2	29 1/2	3/4	1
W1836	16 3/8	10 1/2	3/4	2	17 1/2	35 1/2	3/4	1
W2130	19 3/8	10 1/2	3/4	2	20 1/2	29 1/2	3/4	1
W2136	19 3/8	10 1/2	3/4	2	20 1/2	35 1/2	3/4	1

# WALL CABINETS

## Wall Cabinets 2 Doors



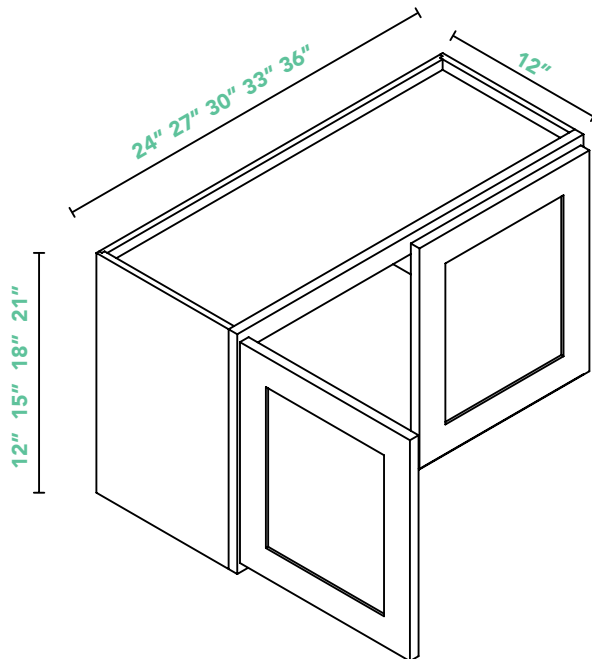
W2430  
W2436  
W2730  
W2736  
W3030  
W3036  
W3330  
W3336  
W3630  
W3636  
W3930\*

SKU	SHELF				CABINET DOOR			
	W	H	D	QTY	W	H	D	QTY
W2430	22 3/8	10 1/2	3/4	2	11 3/4	29 1/2	3/4	2
W2436	22 3/8	10 1/2	3/4	2	11 3/4	35 1/2	3/4	2
W2730	25 3/8	10 1/2	3/4	2	13 1/4	29 1/2	3/4	2
W2736	25 3/8	10 1/2	3/4	2	13 1/4	35 1/2	3/4	2
W3030	28 3/8	10 1/2	3/4	2	14 3/4	29 1/2	3/4	2
W3036	28 3/8	10 1/2	3/4	2	14 3/4	35 1/2	3/4	2
W3330	31 3/8	10 1/2	3/4	2	16 1/4	29 1/2	3/4	2
W3336	31 3/8	10 1/2	3/4	2	16 1/4	35 1/2	3/4	2
W3630	34 3/8	10 1/2	3/4	2	17 3/4	29 1/2	3/4	2
W3636	34 3/8	10 1/2	3/4	2	17 3/4	35 1/2	3/4	2
W3930	37 3/8	10 1/2	3/4	2	19 1/4	29 1/2	3/4	2

\*NOT IN STOCK, SPECIAL ORDER ONLY

# WALL CABINETS

## Wall Cabinets 2 Doors



W2412\*      W3612  
 W2415      W3615  
 W2418      W3618  
 W2421      W3621

W2712\*  
 W2715  
 W2718  
 W2721

W3012  
 W3015  
 W3018  
 W3021

W3312  
 W3315  
 W3318  
 W3321

WALL CABINETS

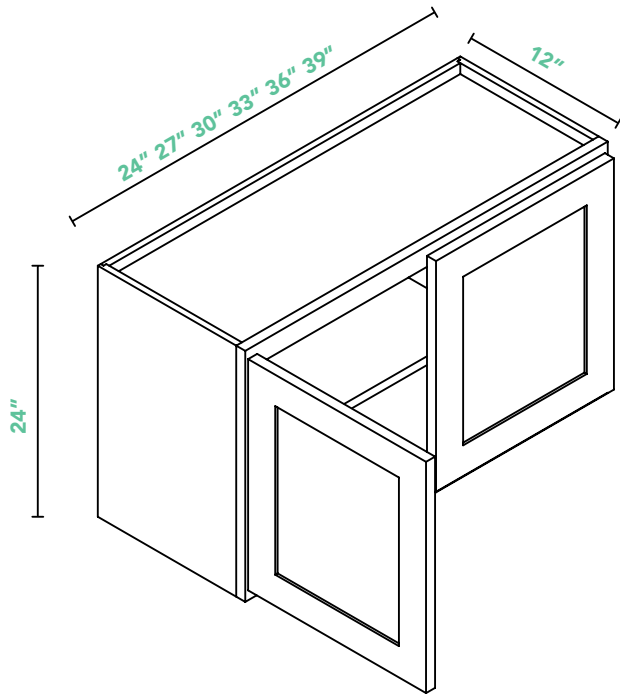
SKU	CABINET DOOR			
	W	H	D	QTY
W2412	11 3/4	11 1/2	3/4	2
W2415	11 3/4	14 1/2	3/4	2
W2418	11 3/4	17 1/2	3/4	2
W2421	11 3/4	20 1/2	3/4	2
W2712	13 1/4	11 1/2	3/4	2
W2715	13 1/4	14 1/2	3/4	2
W2718	13 1/4	17 1/2	3/4	2
W2721	13 1/4	20 1/2	3/4	2
W3012	14 3/4	11 1/2	3/4	2
W3015	14 3/4	14 1/2	3/4	2
W3018	14 3/4	17 1/2	3/4	2
W3021	14 3/4	20 1/2	3/4	2
W3312	16 1/4	11 1/2	3/4	2
W3315	16 1/4	14 1/2	3/4	2
W3318	16 1/4	17 1/2	3/4	2
W3321	16 1/4	20 1/2	3/4	2

SKU	CABINET DOOR			
	W	H	D	QTY
W3612	17 3/4	11 1/2	3/4	2
W3615	17 3/4	14 1/2	3/4	2
W3618	17 3/4	17 1/2	3/4	2
W3621	17 3/4	20 1/2	3/4	2

\*NOT IN STOCK, SPECIAL ORDER ONLY

# WALL CABINETS

## Wall Cabinets 2 Doors



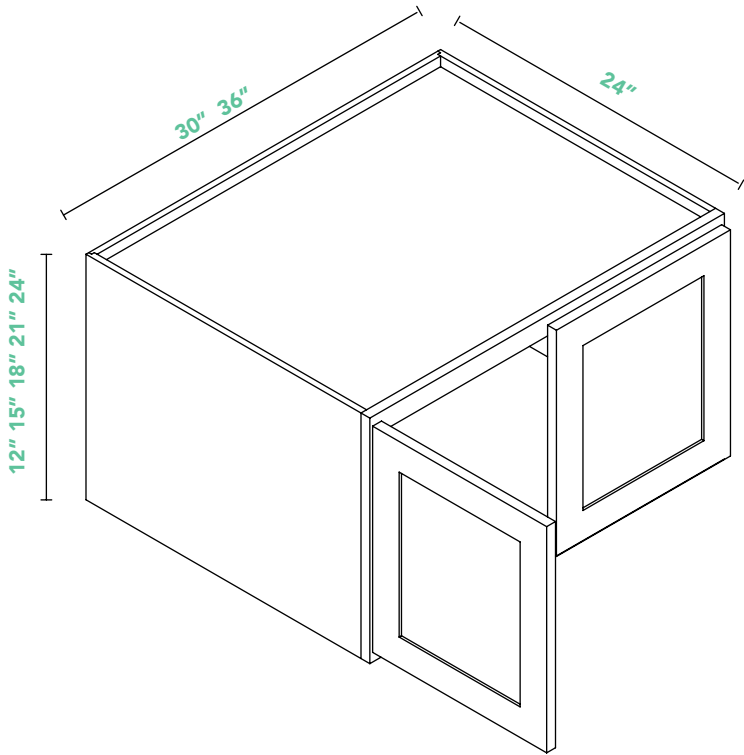
W2424  
W2724  
W3024  
W3324  
W3624  
W3924\*

SKU	SHELF				CABINET DOOR			
	W	H	D	QTY	W	H	D	QTY
W2424	22 3/8	10 1/2	3/4	1	11 3/4	23 1/2	3/4	2
W2724	25 3/8	10 1/2	3/4	1	13 1/4	23 1/2	3/4	2
W3024	28 3/8	10 1/2	3/4	1	14 3/4	23 1/2	3/4	2
W3324	31 3/8	10 1/2	3/4	1	16 1/4	23 1/2	3/4	2
W3624	34 3/8	10 1/2	3/4	1	17 3/4	23 1/2	3/4	2
W3924	37 3/8	10 1/2	3/4	1	19 1/4	23 1/2	3/4	2

\*NOT IN STOCK, SPECIAL ORDER ONLY

# WALL CABINETS

Wall Cabinets 2 Doors - 24" Depth



- W301524\*
- W361224
- W361524
- W361824
- W362124
- W362424

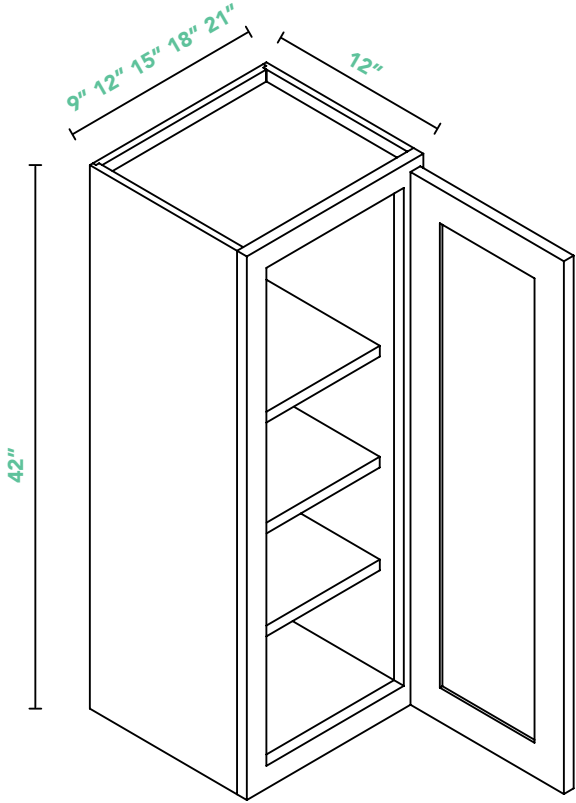
WALL CABINETS

SKU	SHELF				CABINET DOOR			
	W	H	D	QTY	W	H	D	QTY
W301524	NO SHELF				14 3/4	14 1/2	3/4	2
W361224					17 3/4	11 1/2	3/4	2
W361524					17 3/4	14 1/2	3/4	2
W361824					17 3/4	17 1/2	3/4	2
W362124					17 3/4	20 1/2	3/4	2
W362424	34 3/8	21 5/8	3/4	1	17 3/4	23 1/2	3/4	2

\*NOT IN STOCK, SPECIAL ORDER ONLY

# WALL CABINETS

## Wall Cabinets 1 Door



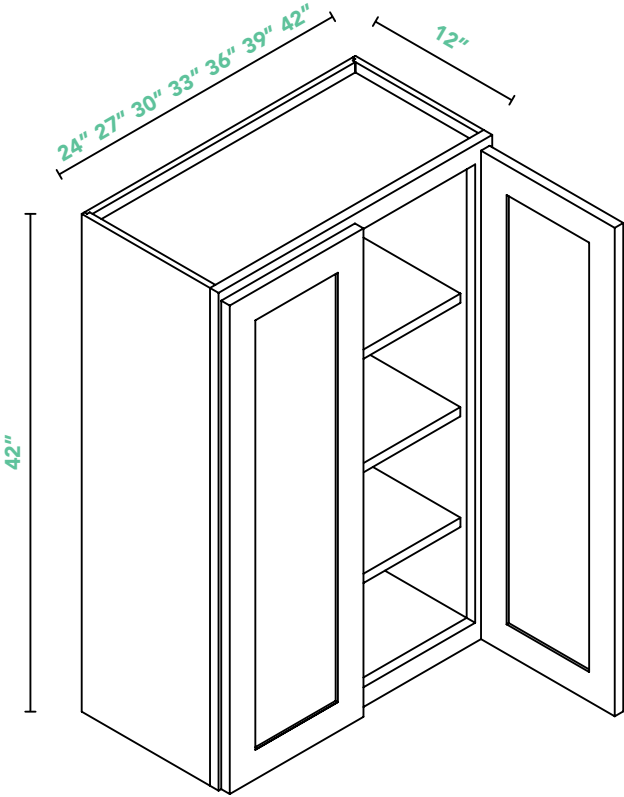
- W0942
- W1242
- W1542
- W1842
- W2142

SKU	SHELF				CABINET DOOR			
	W	D	H	QTY	W	H	D	QTY
W0942	7 3/8	3/4	10 1/2	3	8 1/2	41 1/2	3/4	1
W1242	10 3/8	3/4	10 1/2	3	11 1/2	41 1/2	3/4	1
W1542	13 3/8	3/4	10 1/2	3	14 1/2	41 1/2	3/4	1
W1842	16 3/8	3/4	10 1/2	3	17 1/2	41 1/2	3/4	1
W2142	19 3/8	3/4	10 1/2	3	20 1/2	41 1/2	3/4	1



# WALL CABINETS

## Wall Cabinets 2 Doors



- W2442
- W2742
- W3042
- W3342
- W3642
- W3942\*
- W4242\*

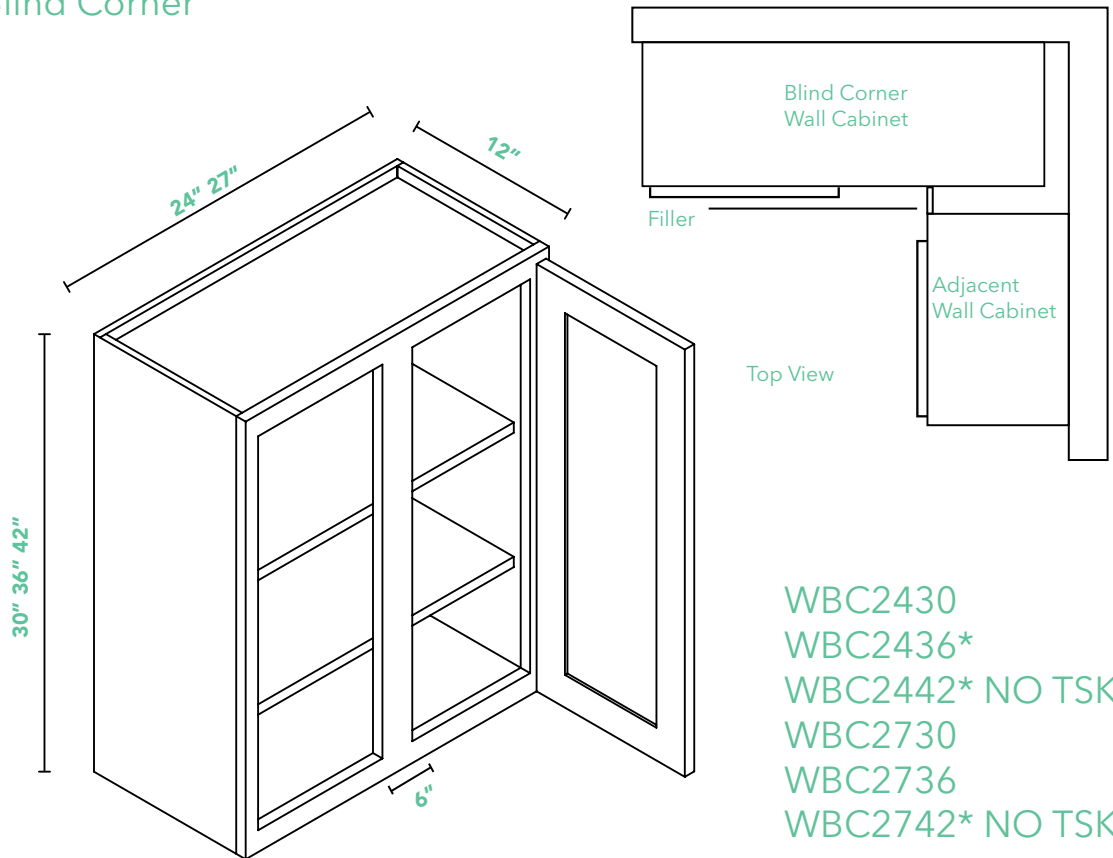
WALL CABINETS

SKU	SHELF				CABINET DOOR			
	W	H	D	QTY	W	H	D	QTY
W2442	22 3/8	3/4	10 1/2	3	11 3/4	41 1/2	3/4	2
W2742	25 3/8	3/4	10 1/2	3	13 1/4	41 1/2	3/4	2
W3042	28 3/8	3/4	10 1/2	3	14 3/4	41 1/2	3/4	2
W3342	31 3/8	3/4	10 1/2	3	16 1/4	41 1/2	3/4	2
W3642	34 3/8	3/4	10 1/2	3	17 3/4	41 1/2	3/4	2
W3942	37 3/8	3/4	10 1/2	3	19 1/4	41 1/2	3/4	2
W4242	40 3/8	3/4	10 1/2	3	20 3/4	41 1/2	3/4	2

\*NOT IN STOCK, SPECIAL ORDER ONLY

# WALL CABINETS

## Wall Blind Corner



SKU	SHELF				CABINET DOOR			
	W	H	D	QTY	W	H	D	QTY
WBC2430	22 3/8	10 1/2	3/4	2	11 5/8	29 1/2	3/4	1
WBC2436	22 3/8	10 1/2	3/4	2	11 5/8	35 1/2	3/4	1
WBC2442	22 3/8	10 1/2	3/4	3	11 5/8	41 1/2	3/4	1
WBC2730	25 3/8	10 1/2	3/4	2	14 5/8	29 1/2	3/4	1
WBC2736	25 3/8	10 1/2	3/4	2	14 5/8	35 1/2	3/4	1
WBC2742	25 3/8	10 1/2	3/4	3	14 5/8	41 1/2	3/4	1

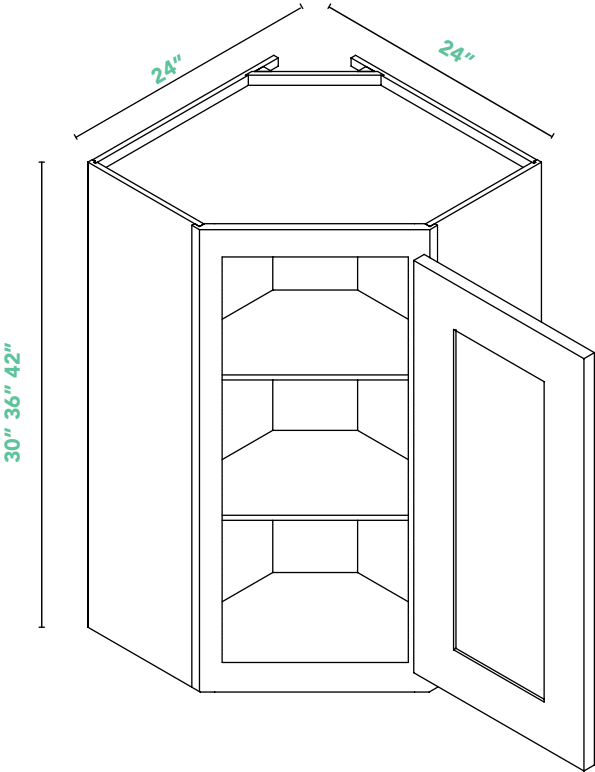
Must Order a Wall Filler Separately  
Refer to Installation Chart

WBC2430, WBC2436, WBC2442 - Actual Cabinet Width is 24" - 12" Door with 6" Center Filler  
(Need Minimum 27" Clearance)  
WBC2730, WBC2736, WBC2742 - Actual Cabinet Width is 27" - 15" Door with 6" Center Filler  
(Need Minimum 30" Clearance)

\*NOT IN STOCK, SPECIAL ORDER ONLY

# WALL CABINETS

## Wall Diagonal Corner



WDC2430  
 WDC2436  
 WDC2442 NO TSK

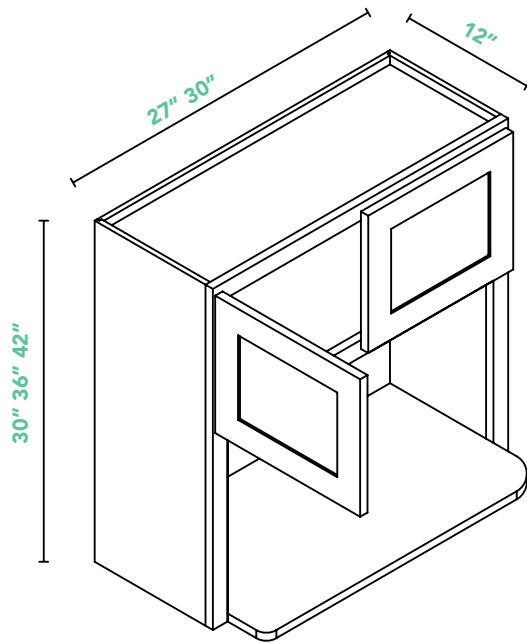
WALL CABINETS

SKU	CABINET DOOR			
	W	H	D	QTY
WDC2430	14 3/4	29 1/2	3/4	1
WDC2436	14 3/4	35 1/2	3/4	1
WDC2442	14 3/4	41 1/2	3/4	1

Soft Close Hinge Not Available

# WALL CABINETS

## Microwave Wall Cabinets



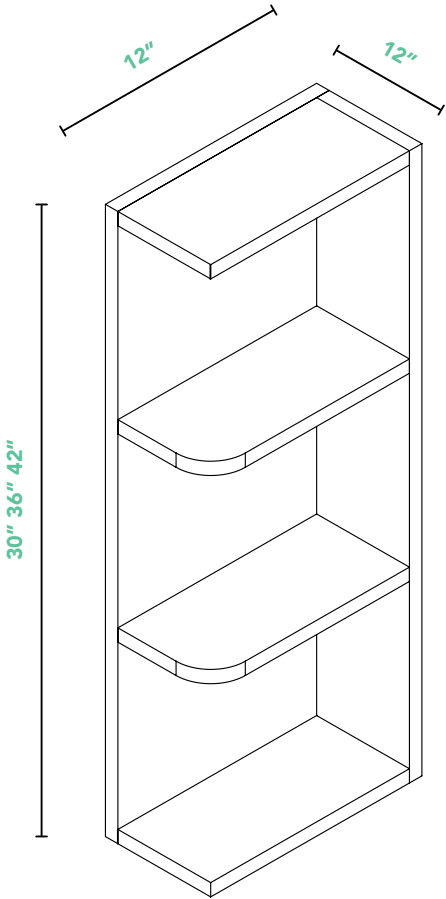
MW2730\* ONLY HSK  
 MW2736\* ONLY HSK  
 MW2742\* ONLY HSK  
 MW3030  
 MW3036  
 MW3042

SKU	SHELF				CABINET DOOR			
	W	H	D	QTY	W	H	D	QTY
MW2730	25 3/8	18	3/4	1	13 1/4	11 1/2	3/4	2
MW2736	25 3/8	18	3/4	1	13 1/4	17 1/2	3/4	2
MW2742	25 3/8	18	3/4	1	13 1/4	23 1/2	3/4	2
MW3042	28 3/8	18	3/4	1	14 3/4	23 1/2	3/4	2
MW3030	28 3/8	18	3/4	1	14 3/4	11 1/2	3/4	2
MW3036	28 3/8	18	3/4	1	14 3/4	17 1/2	3/4	2

\*NOT IN STOCK, SPECIAL ORDER ONLY

# WALL CABINETS

## Wall End Open Shelf



WEOS1230  
WEOS1236  
WEOS1242

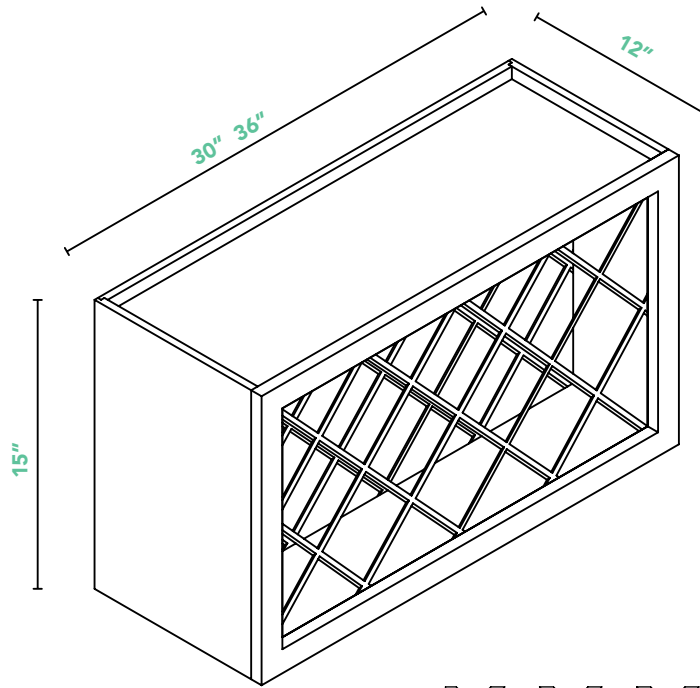
WALL CABINETS

SKU	OUTSIDE		
	W	H	D
WEOS1230	12	30	12
WEOS1236	12	36	12
WEOS1242	12	42	12

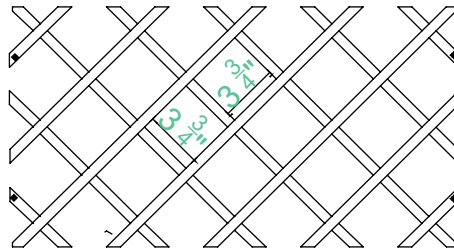
Comes as 12" ( Magnolia Cabinetry will cut to 6" or 9" at Additional Charge)  
Two Shelves

# WALL CABINETS

## Wall Wine Rack



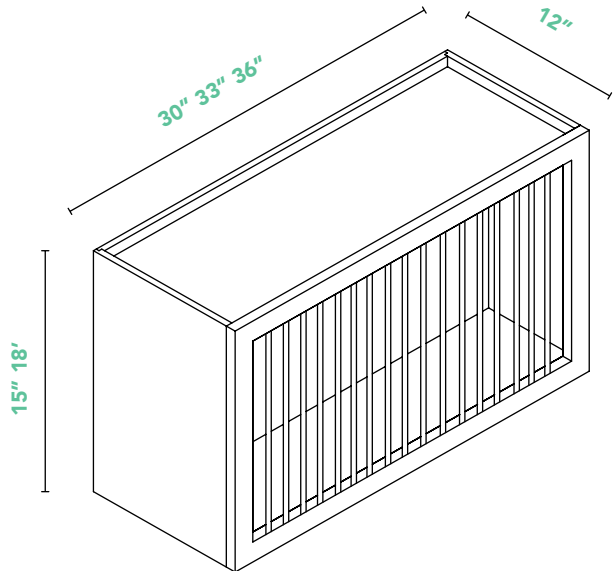
WWR3015  
WWR3615



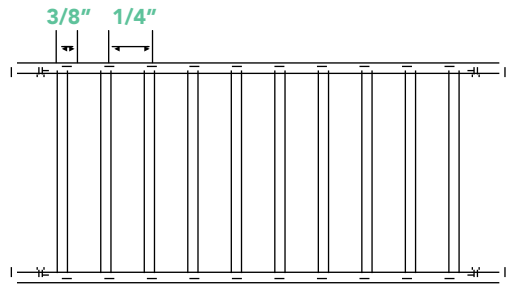
SKU	OUTSIDE		
	W	H	D
WWR3015	30	15	12
WWR3615	36	15	12

# WALL CABINETS

## Wall Plate Rack



- WPR3015
- WPR3018
- WPR3315
- WPR3318
- WPR3615
- WPR3618

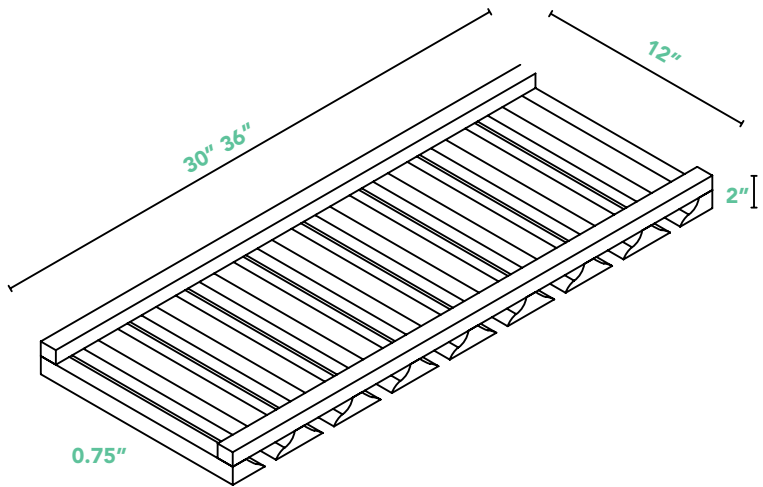


WALL CABINETS

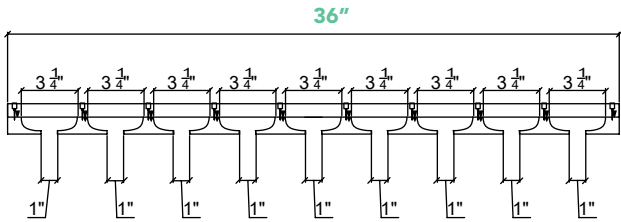
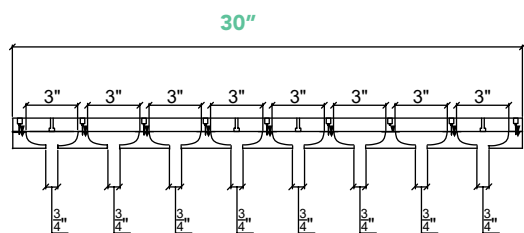
SKU	OUTSIDE		
	W	H	D
WPR3015	30	15	12
WPR3018	30	18	12
WPR3315	33	15	12
WPR3318	33	18	12
WPR3615	36	15	12
WPR3618	36	18	12

# WALL CABINETS

## Wine Glass Holder



WGH30\* NO TSK  
WGH36\* NO TSK



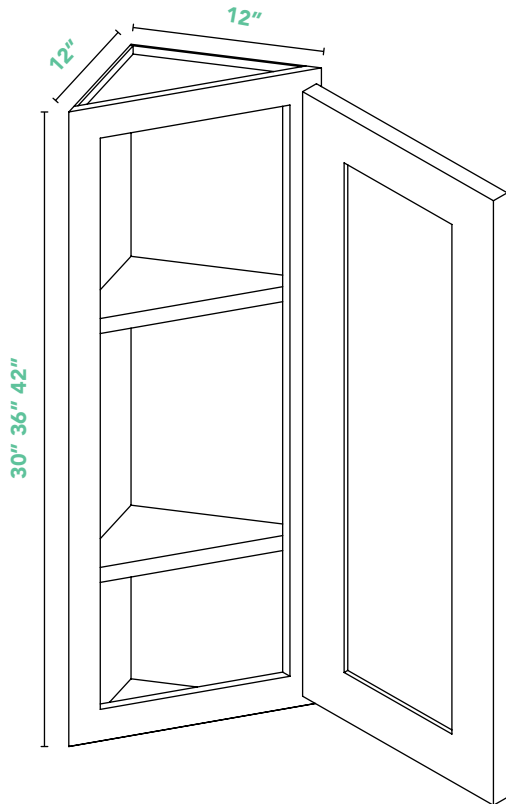
SKU	OUTSIDE		
	W	H	D
WGH30	30	2	12
WGH36	36	2	12

\*NOT IN STOCK, SPECIAL ORDER ONLY



# WALL CABINETS

## Wall End Angle



WEA1230  
WEA1236  
WEA1242

WALL CABINETS

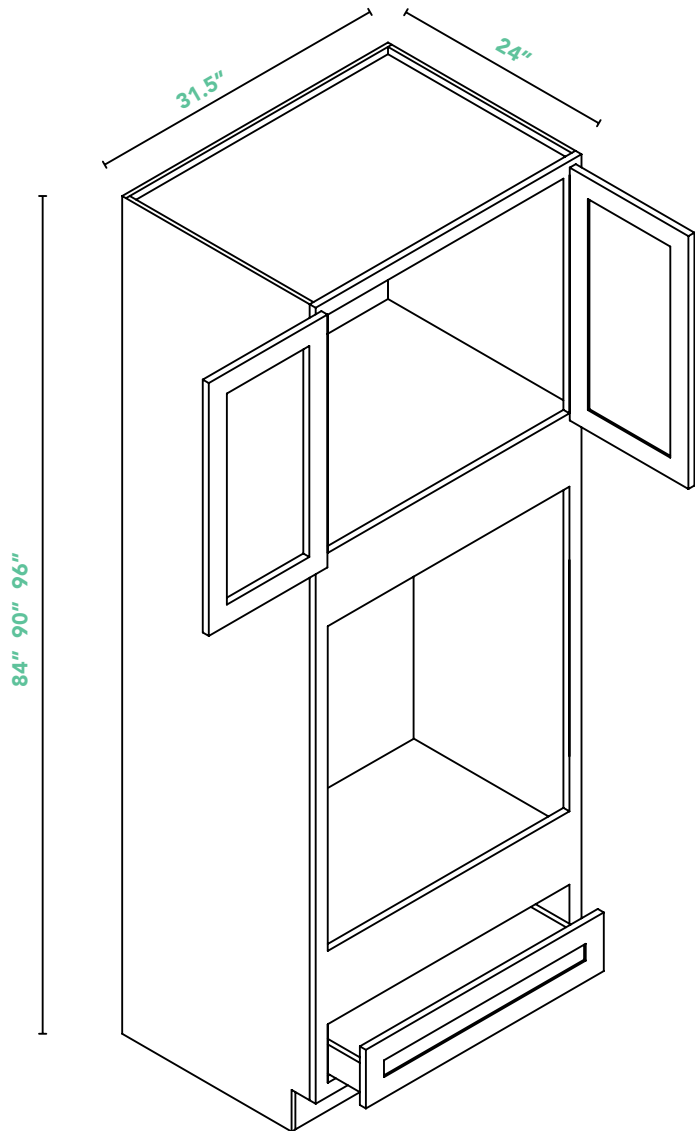
SKU	CABINET DOOR		
	W	H	D
WEA1230	15 1/4	29 1/2	3/4
WEA1236	15 1/4	35 1/2	3/4
WEA1242	15 1/4	41 1/2	3/4



# TALL CABINETS

# TALL CABINETS

## Oven Cabinet



OC31.584D\*  
 OC31.590D\*  
 OC31.596D\*

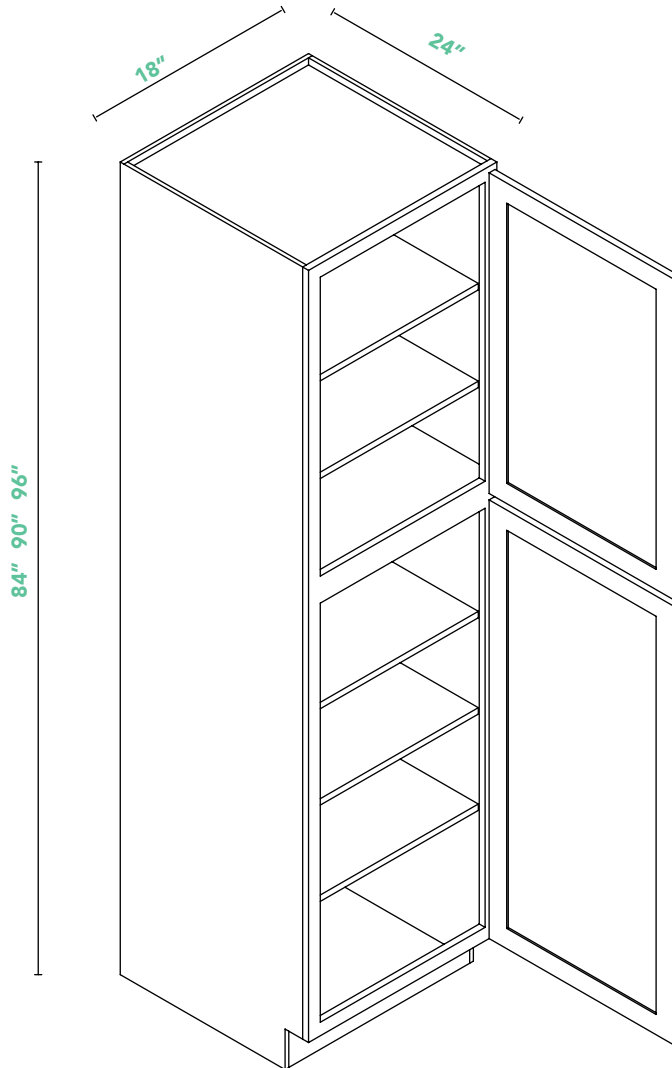
TALL CABINETS

SKU	CABINET DOOR				DRAWER HEAD				DRAWER BOX			
	W	H	D	QTY	W	H	D	QTY	W	H	D	QTY
OC31.584D	15 1/2	17 1/2	3/4	2	31	10 3/8	3/4	1	27 7/8	4	21	1
OC31.590D	15 1/2	23 1/2	3/4	2	31	10 3/8	3/4	1	27 7/8	4	21	1
OC31.596D	15 1/2	29 1/2	3/4	2	31	10 3/8	3/4	1	27 7/8	4	21	1

\*NOT IN STOCK, SPECIAL ORDER ONLY

# TALL CABINETS

## Pantry

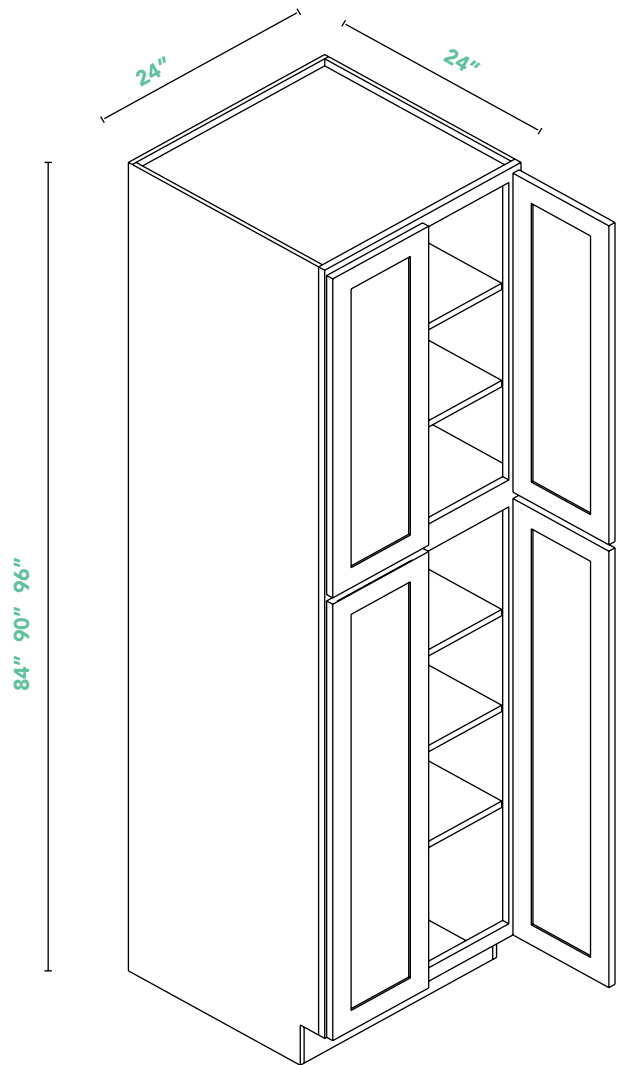


PC1884  
PC1890  
PC1896

SKU	SHELF				TOP CABINET DOOR				BOTTOM CABINET DOOR			
	W	H	D	QTY	W	H	D	QTY	W	H	D	QTY
PC1884	16 1/4	21 3/4	3/4	5	17 1/2	29 1/2	3/4	1	17 1/2	48 3/8	3/4	1
PC1890	16 1/4	21 3/4	3/4	5	17 1/2	35 1/2	3/4	1	17 1/2	48 3/8	3/4	1
PC1896	16 1/4	21 3/4	3/4	5	17 1/2	41 1/2	3/4	1	17 1/2	48 3/8	3/4	1

# TALL CABINETS

Pantry



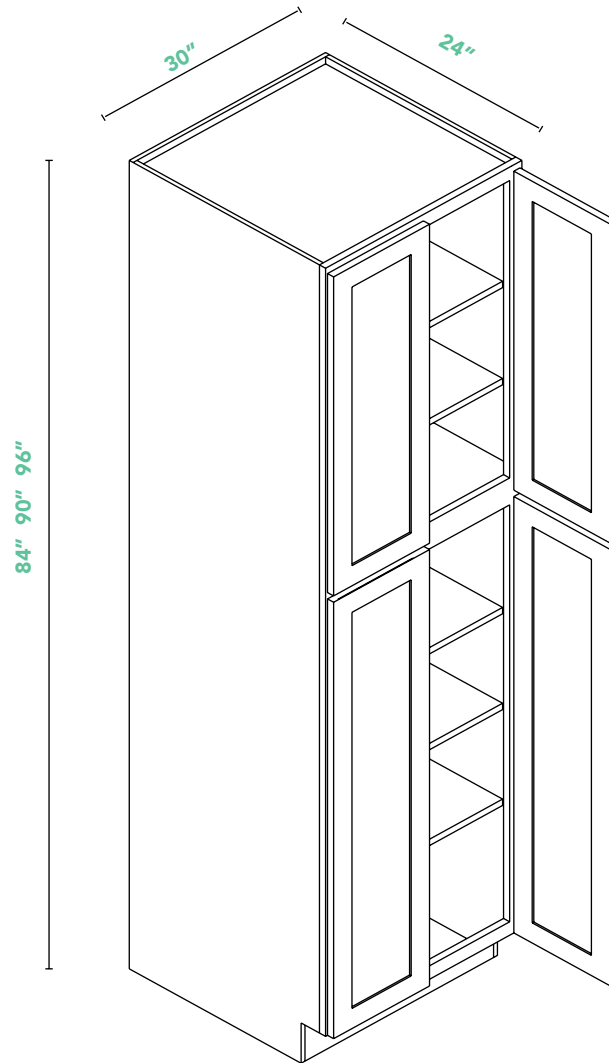
PC2484  
PC2490  
PC2496

TALL CABINETS

SKU	SHELF				TOP CABINET DOOR				BOTTOM CABINET DOOR			
	W	H	D	QTY	W	H	D	QTY	W	H	D	QTY
PC2484	22 1/4	21 3/4	3/4	5	11 3/4	29 1/2	3/4	2	11 3/4	48 3/8	3/4	2
PC2490	22 1/4	21 3/4	3/4	5	11 3/4	35 1/2	3/4	2	11 3/4	48 3/8	3/4	2
PC2496	22 1/4	21 3/4	3/4	5	11 3/4	41 1/2	3/4	2	11 3/4	48 3/8	3/4	2

# TALL CABINETS

## Pantry

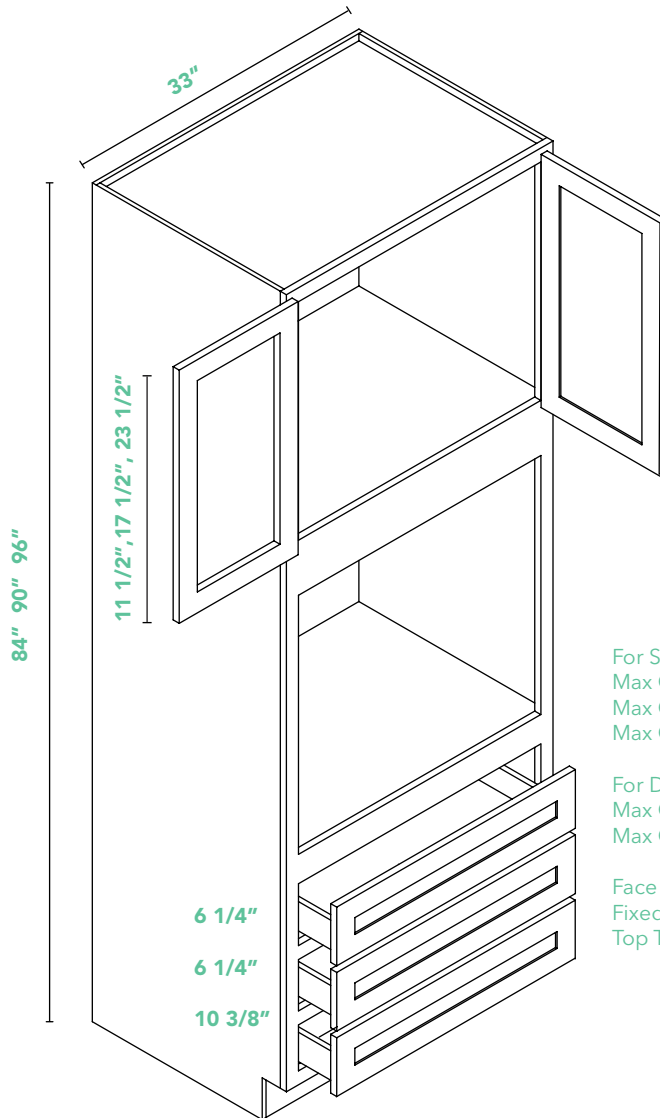


PC3084  
PC3090  
PC3096

SKU	SHELF				TOP CABINET DOOR				BOTTOM CABINET DOOR			
	W	H	D	QTY	W	H	D	QTY	W	H	D	QTY
PC3084	27 5/8	21 3/4	3/4	5	14 3/4	29 1/2	3/4	2	14 3/4	48 3/8	3/4	2
PC3090	27 5/8	21 3/4	3/4	5	14 3/4	35 1/2	3/4	2	14 3/4	48 3/8	3/4	2
PC3096	27 5/8	21 3/4	3/4	5	14 3/4	41 1/2	3/4	2	14 3/4	48 3/8	3/4	2

# TALL CABINETS

## Universal Oven Cabinet



OC3384-3D  
OC3390-3D  
OC3396-3D

For Single Oven:  
Max Cut Out Width is 31"  
Max Cut Out Height is 42"  
Max Overall Oven Height is 42 1/2"

For Double Oven:  
Max Cut Out Width is 31" & Min Cut Out Width 27"  
Max Cut Out Height is 56"

Face Frame to be Trimmed on Site for Single/Double Oven  
Fixed Shelf (to be Removed for Double Oven)  
Top Two Drawers (to be Removed for Double Oven)

TALL CABINETS

SKU	CABINET DOOR				TOP DRAWER FRONT				BOTTOM DRAWER FRONT			
	W	H	D	QTY	W	H	D	QTY	W	H	D	QTY
OC3384-3D	16 1/4	11 1/2	3/4	2	32 1/2	6 1/4	3/4	2	32 1/2	10 3/8	3/4	1
OC3390-3D	16 1/4	17 1/2	3/4	2	32 1/2	6 1/4	3/4	2	32 1/2	10 3/8	3/4	1
OC3396-3D	16 1/4	23 1/2	3/4	2	32 1/2	6 1/4	3/4	2	32 1/2	10 3/8	3/4	1

SKU	TOP DRAWER BOX				BOTTOM DRAWER BOX			
	W	H	D	QTY	W	H	D	QTY
OC3384-3D	29 3/8	4	21	2	29 3/8	6	21	1
OC3390-3D	29 3/8	4	21	2	29 3/8	6	21	1
OC3396-3D	29 3/8	4	21	2	29 3/8	6	21	1

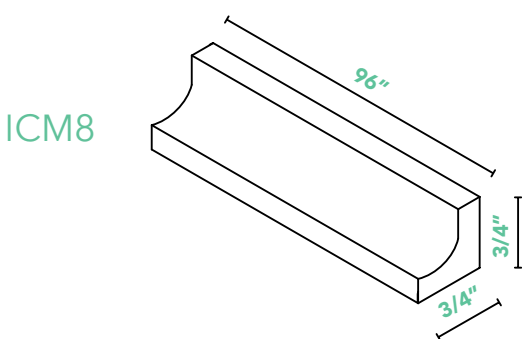
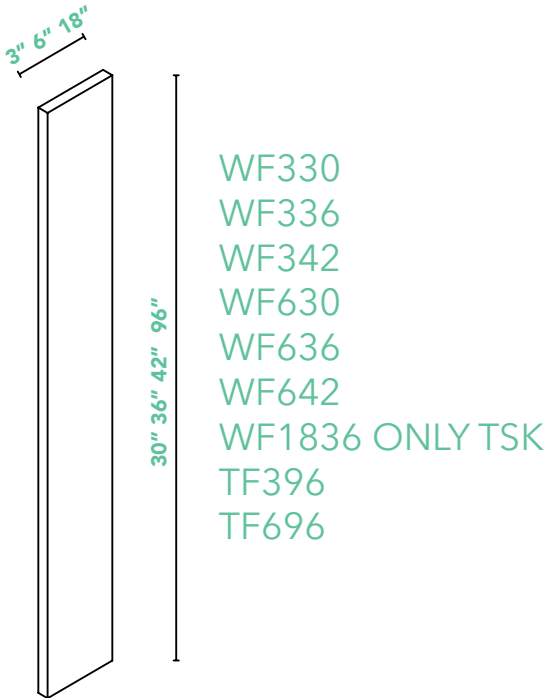
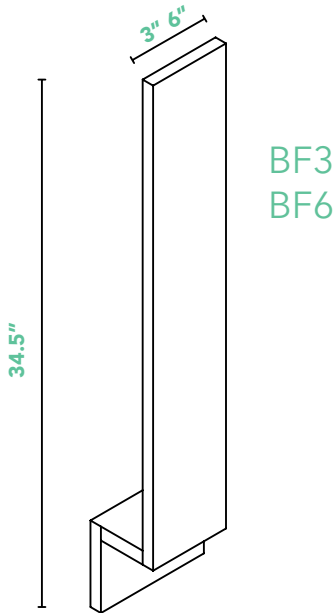


# ACCESSORIES



# ACCESSORIES

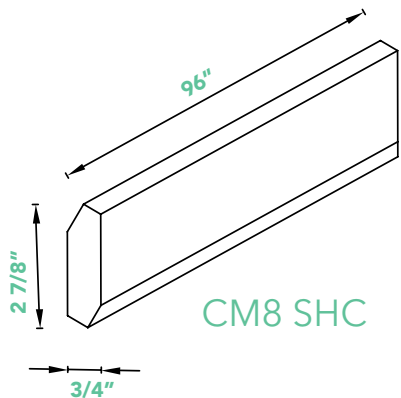
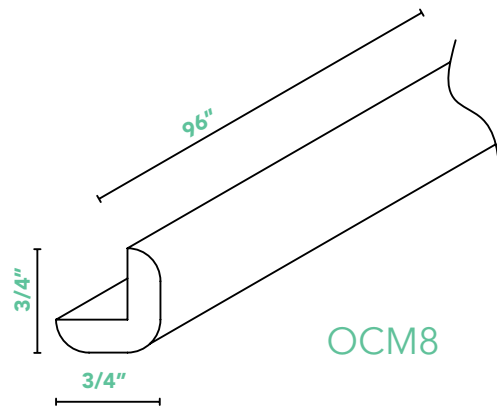
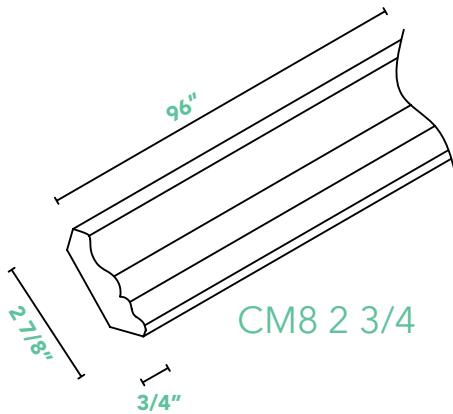
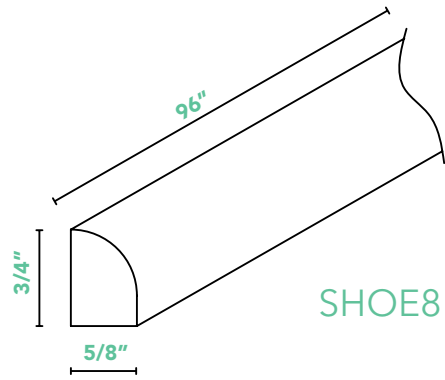
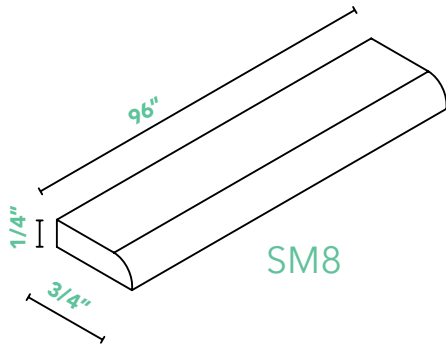
## Base Fillers, Wall Fillers, Inside Corner Molding



SKU	W	H	D
BF3	3	34.5	3/4
BF6	6	34.5	3/4
WF330	3	30	3/4
WF336	3	36	3/4
WF342	3	42	3/4
WF630	6	30	3/4
WF636	6	36	3/4
WF642	6	42	3/4
WF1836	18	36	3/4
ICM8	3/4	96	3/4
TF396	3	96	3/4
TF696	6	96	3/4

# ACCESSORIES

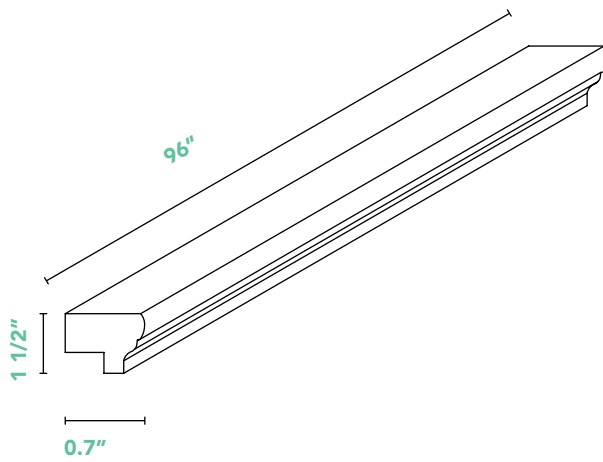
| Scribe Molding, Shoe Molding, Outside Corner Molding, Crown Molding



SKU	W	H	D
SM8	3/4	96	1/4
SHOE8	3/4	96	5/8
CM8 2 3/4	2 7/8	96	3/4
OCM8	3/4	96	3/4
CM8 SHC	2 7/8	96	3/4

# ACCESSORIES

## Light Rail Molding

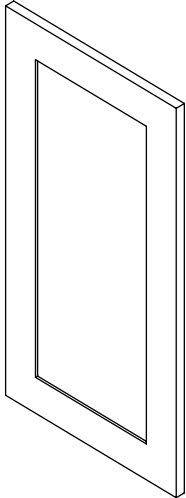


LRM8

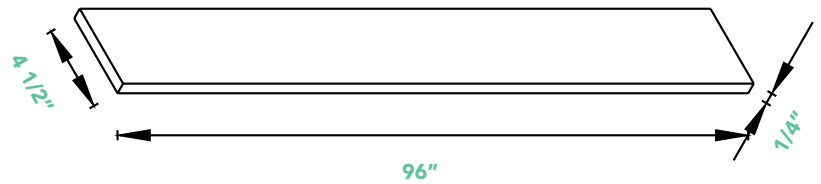
SKU	W	H	D
LRM8	7/10	96	1 1/2

# ACCESSORIES

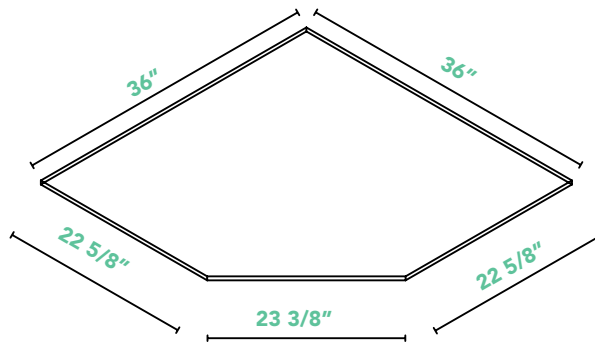
Sample Doors, Base/Wall Decor Doors, Corner Sink Front Floor, Toe Kick



SAMPLE DOOR  
 BPNLD  
 WPNL1230D  
 WPNL1236D  
 WPNL1242D



TK8

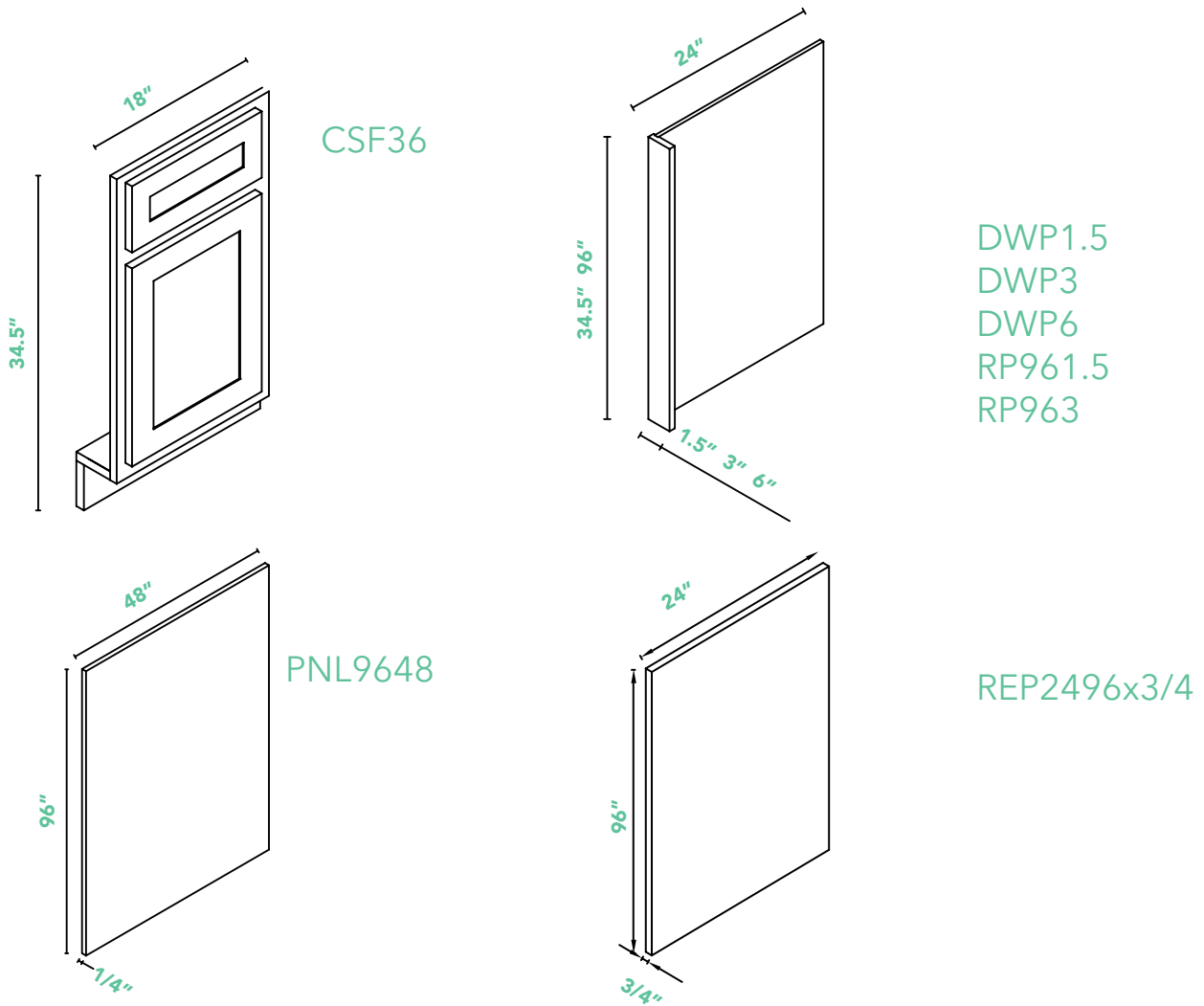


CSFFL36

SKU	W	H	D
SAMPLE DOOR	11	15	3/4
BPNLD	23 1/4	28 5/8	3/4
WPNL1230D	11 1/4	29 1/2	3/4
WPNL1236D	11 1/4	35 1/2	3/4
WPNL1242D	11 1/4	41 1/2	3/4
TK8	4 1/2	96	1/4
CSFFL36	36	36	3/4

# ACCESSORIES

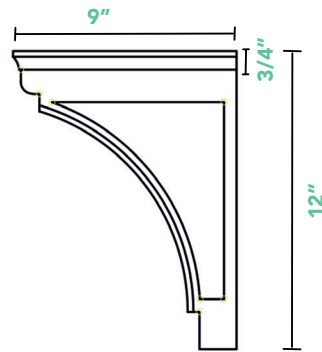
Corner Sink Front, Dishwasher Panel, Ref Panel with 3" Filler



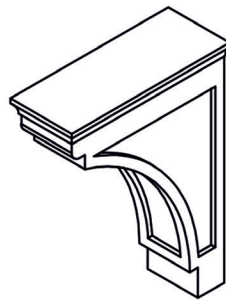
SKU	W	H	D
CSF36	18	34.5	3/4
DWP1.5	1.5	34.5	24
DWP3	3	34.5	24
DWP6	6	34.5	24
RP961.5	1.5	96	24
RP963	3	96	24
PNL9648	1/4	96	48
REP2496x3/4	3/4	96	24

# ACCESSORIES

## Corbel Bracket Modern



CBM\*

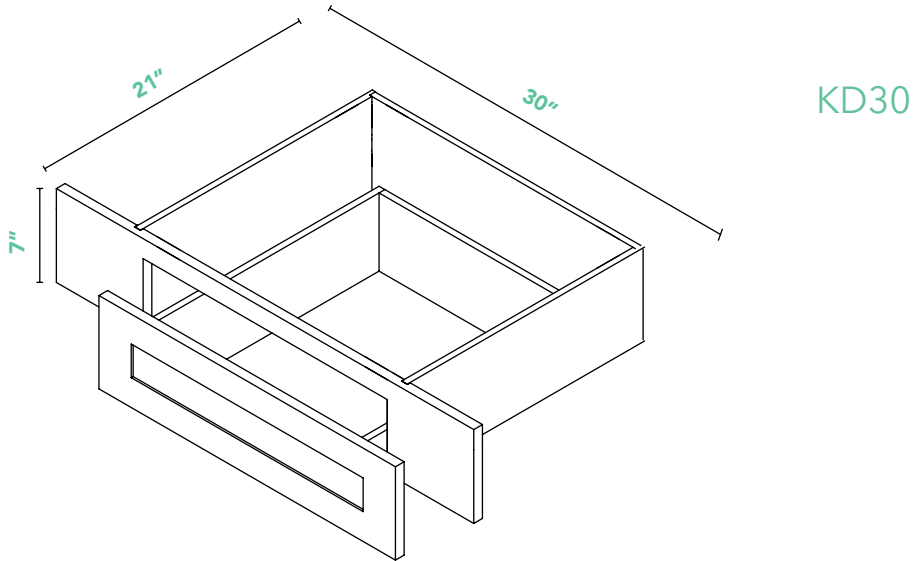


SKU	W	H	D
CBM	9	12	3.5

\*NOT IN STOCK, SPECIAL ORDER ONLY

# ACCESSORIES

## Knee Drawer



SKU	DRAWER FRONT			DRAWER BOX			QTY
	W	H	D	W	H	D	
KD30	23 1/2	6 1/4	3/4	20 3/8	4	18	1

# Notes

---

---

---

---







Phone: 571-287-8001 | Email: [sales@magnoliacabinets.com](mailto:sales@magnoliacabinets.com)

**MAGNOLIA CABINETRY**  
The Intelligent Choice